

RACK INSTALLATION GUIDE

Guide d'installation du rack

Rack-Installationsanleitung

Guía de montaje en rack

ラック取り付けガイド

A close-up, slightly angled view of a server rack. The rack is white with a grid of ventilation holes. A prominent feature is the Dell logo, which is illuminated from within, casting a soft glow. The logo is the classic 'DELL' with a diagonal slash through the 'E'. The background is dark, making the white rack and the glowing logo stand out.

RACK INSTALLATION GUIDE

Notes, Notices, Cautions, and Warnings

Throughout this guide, blocks of text may be accompanied by an icon and printed in bold type or in italic type. These blocks are notes, notices, cautions, and warnings, and they are used as follows:



NOTE: A NOTE indicates important information that helps you make better use of your computer system.

NOTICE: A NOTICE indicates either potential damage to hardware or loss of data and tells you how to avoid the problem.



CAUTION: A CAUTION indicates a potentially hazardous situation which, if not avoided, may result in minor or moderate injury.



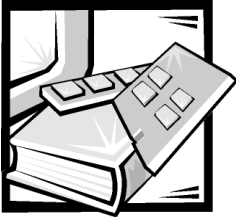
WARNING: A WARNING indicates a potentially hazardous situation which, if not avoided, could result in death or serious bodily injury.

**Information in this document is subject to change without notice.
© 2001 Dell Computer Corporation. All rights reserved.**

Reproduction in any manner whatsoever without the written permission of Dell Computer Corporation is strictly forbidden.

Trademarks used in this text: *Dell*, the *DELL* logo, *PowerVault*, *PowerEdge*, and *RapidRails* are trademarks of Dell Computer Corporation.

Other trademarks and trade names may be used in this document to refer to either the entities claiming the marks and names or their products. Dell Computer Corporation disclaims any proprietary interest in trademarks and trade names other than its own.



Safety Instructions

Use the following safety guidelines to ensure your own personal safety and to help protect your server, storage system, or appliance from potential damage. For complete safety, regulatory, and warranty information, refer to your system's *System Information* document.

Notes, Notices, Cautions, and Warnings

Throughout this guide, blocks of text may be accompanied by an icon and printed in bold type or in italic type. These blocks are notes, notices, cautions, and warnings, and they are used as follows:



NOTE: A NOTE indicates important information that helps you make better use of your computer system.

NOTICE: A NOTICE indicates either potential damage to hardware or loss of data and tells you how to avoid the problem.



CAUTION: A CAUTION indicates a potentially hazardous situation which, if not avoided, may result in minor or moderate injury.



WARNING: A WARNING indicates a potentially hazardous situation which, if not avoided, could result in death or serious bodily injury.



Precautions for Rack-Mountable Products

Observe the following precautions for rack stability and safety. Also refer to the rack installation documentation accompanying the system and the rack for specific warning and/or caution statements and procedures.

Servers, storage systems, and appliances are considered to be components in a rack. Thus, "component" refers to any server, storage system, or appliance, as well as to various peripherals or supporting hardware.



WARNING: Installing Dell system components in a Dell rack without the front and side stabilizers installed could cause the rack to tip over, potentially resulting in bodily injury under certain circumstances. Therefore, always install the stabilizers before installing components in the rack.

After installing system/components in a rack, never pull more than one component out of the rack on its slide assemblies at one time. The weight of more than one extended component could cause the rack to tip over and injure someone.



NOTE: Dell's servers, storage systems, and appliances are certified as components for use in Dell's rack cabinet using the Dell customer rack kit. The final installation of Dell systems and rack kits in any other brand of rack cabinet has not been approved by any safety agencies. It is the customer's responsibility to have the final combination of Dell systems and rack kits for use in other brands of rack cabinets evaluated for suitability by a certified safety agency.

- System rack kits are intended to be installed in a Dell rack by trained service technicians. If you install the kit in any other rack, be sure that the rack meets the specifications of a Dell rack.
- Do not move large racks by yourself. Due to the height and weight of the rack, Dell recommends a minimum of two people to accomplish this task.
- Before working on the rack, make sure that the stabilizers are secure to the rack, extend to the floor, and that the full weight of the rack rests on the floor. Install front and side stabilizers on a single rack or front stabilizers for joined multiple racks before working on the rack.
- Always load the rack from the bottom up, and load the heaviest item in the rack first.
- Make sure that the rack is level and stable before extending a component from the rack.
- Use caution when pressing the component rail release latches and sliding a component into or out of a rack; the slide rails can pinch your fingers.
- After a component is inserted into the rack, carefully extend the rail into a locking position, and then slide the component into the rack.
- Do not overload the AC supply branch circuit that provides power to the rack. The total rack load should not exceed 80 percent of the branch circuit rating.
- Ensure that proper airflow is provided to components in the rack.
- Do not step on or stand on any system/component when servicing other systems/components in a rack.



Rack Installation Guide

This installation guide provides instructions for trained service technicians to install one or more Dell™ PowerVault™ 136T systems in a Dell PowerEdge™ four-post rack cabinet. Both 42-U and 24-U height rack cabinets are accommodated. One rack kit is required for each system to be installed in the rack.

Before attempting this installation you should read through this entire document carefully.

Rack Kit Contents

The rack kit includes the following items (see Figure 1-1):

- One pair of RapidRails™
- One rack template



NOTE: If you have purchased a Dell rack with your system, some of the hardware may be preinstalled in the rack.

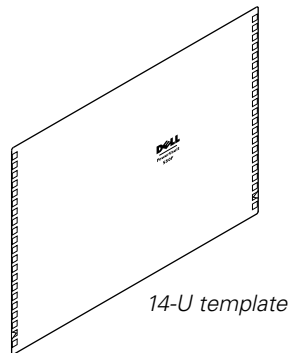
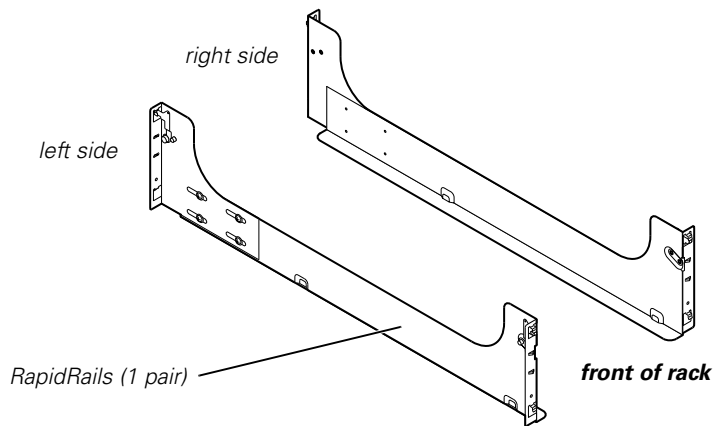


Figure 1-1. Rack Kit Contents

Before You Begin

See the safety instructions at the front of this document, as well as the safety instructions provided in your system's *System Information* document for additional information.



CAUTION: When installing multiple systems in a rack, complete all of the procedures for the current system before attempting to install the next system.



NOTES: If you purchased a Dell rack cabinet along with your system, the slide assemblies may be preinstalled in the rack.

For instructions on installing the system itself, see "Installing a System in the Rack," found later in this document.

Important Safety Information

Observe the safety precautions in the following subsections when installing your system in the rack.



WARNING: You must strictly follow the procedures in this document to protect yourself as well as others who may be involved. The systems are extremely heavy and bulky, and proper preparation and planning is important to prevent injury to yourself and to others. This becomes increasingly important when systems are installed high up in the rack.

Kit Installation Restrictions



CAUTION: Dell server systems are certified as components for use in Dell rack cabinets using Dell customer rack kits. The final installation of Dell servers and rack kits in any other brand of rack cabinet has not been approved by any safety agencies. It is the customer's responsibility to have the final combination of Dell servers and rack kits for use in other brands of rack cabinets evaluated for suitability by a certified safety agency.

This rack kit is intended to be installed in a Dell rack by trained service technicians. If you install the kit in any other rack, be sure that the rack meets the specifications of the Dell rack.

Rack Stabilizer Feet



CAUTION: Installing a system in a Dell rack without the front and side stabilizer feet installed and anchored to the floor could cause the rack to tip over, potentially resulting in bodily injury under certain circumstances. Therefore, always install and anchor the stabilizer feet before installing components in the rack.



CAUTION: After installing systems in a rack, never pull more than one system out of the rack on its slide assemblies at one time. The weight of more than one extended system could cause the rack to tip over and cause injury.

The stabilizer feet help prevent the rack from tipping over when a system or other component is pulled out of the rack so that the slide assemblies are fully extended. Refer to the documentation provided with the rack for instructions on installing and anchoring the stabilizer feet.

Recommended Tools and Supplies

To install the rack kit components, you need the following tools:

- A measuring tape
- A level
- Installation template (provided with kit)
- Masking tape or a felt-tip pen (for use in marking the mounting holes)

Installation Tasks

To install the rack kit and the system into a rack cabinet involves the following tasks:

- Mark the rack
- Install the RapidRails in the rack
- Install the system chassis in the rack

If you are installing the rack kit into a PowerVault 4210 rack cabinet, see the procedures contained in the *Dell PowerVault 4210 Rack Installation Guide*.

Marking the Rack



NOTE: If the RapidRails were preinstalled by Dell, you can skip this section.

You must allow 14 units (U) or 24.5 inches of vertical space for each system you install in the rack.

1. Determine where you want to install the system in the rack. (For more information on configuring a Dell rack, refer to the Dell Rack Advisor software available on Dell's Web site at <http://support.dell.com>.)



CAUTION: If you are installing more than one system, install the first system in the lowest possible position in the rack.

If you intend to install more than one PowerVault system in the rack, you must install the RapidRails so that 14 U (24.5 inches) of vertical space are between the *bottom* of one slide assembly and the *bottom* of the next. In the Dell rack, the rails of the rack are marked either by small indentations in 1-U (1.75-inch) increments or by numbered 1-U markings on both the outer and inner surfaces of the front and back vertical rails (see Figure 1-2).

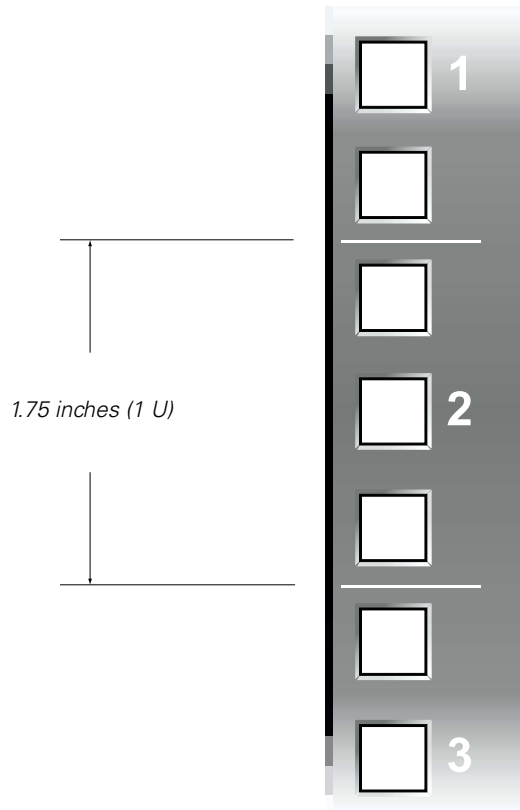


Figure 1-2. One Rack Unit

Place the front of the template on the front vertical rails where you want to install the system, and position the bottom of the template in line with the desired bottom position of the system chassis.

Ensure that the printing on the template identifies the side facing outward as the template front.

2. Mark the front vertical rails with a felt-tipped marker or place masking tape where the system's upper and lower edges will be located (see Figure 1-3).
3. Make a mark or place tape on the vertical rails next to the template's V-shaped notches.
4. At the back of the rack cabinet, repeat steps 2 and 3 to mark the back rail, ensuring that the printing on the template identifies the side facing outward as the template back.

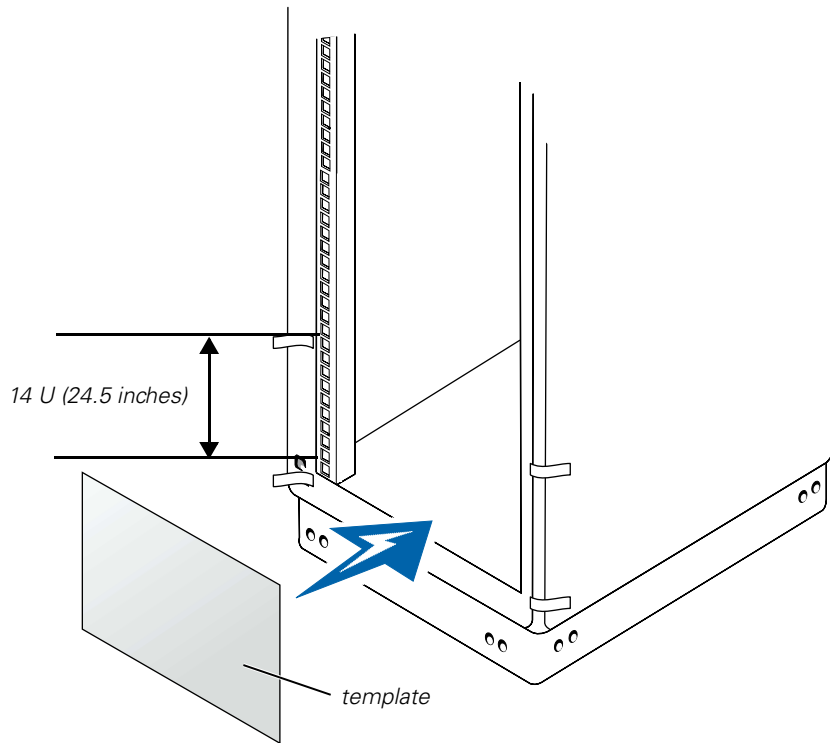


Figure 1-3. Marking the Rack

Installing the RapidRails in the Rack

To install the rails in the rack, perform the following steps:

1. Slide the back mounting flange towards the center of the slide assembly to slightly reduce the slide assembly's overall length (see Figure 1-4).

The mounting flange on each end of the slide assembly has two hooks that fit through holes in the vertical rail.

2. Position the slide assembly mounting flange against the inner side of the rack's front vertical rail so that the bottom hook is in the hole designated by the template's lower V-shaped notch.

3. Press the front mounting flange against the inside surface of the front rail, and press down.

The mounting hooks move down, and the square latching tab pops into the square hole just below the upper mounting hook.

4. Slide the back mounting flange backwards until the back mounting flange fits snugly against the inner side of the back vertical rail.

5. Press the back mounting flange against the inside surface of the back rail, and press down.

The mounting hooks move down, and the square latching tab pops into the square hole just below the upper mounting hook.

6. Repeat steps 1 through 5 to install the second slide assembly.

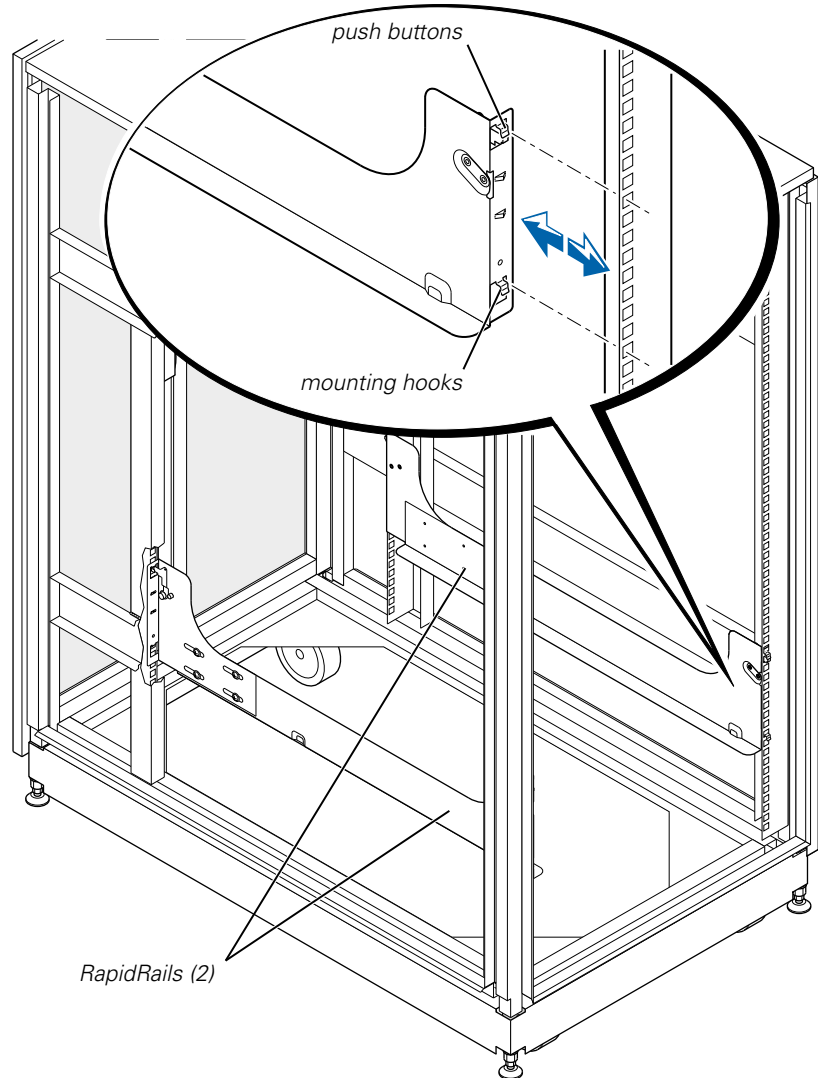


Figure 1-4. Installing the RapidRails

Installing a System in the Rack

The subsections that follow provide instructions for installing a system in the rack.

Installing the System



CAUTION: If you are installing more than one system, install the first system in the lowest available position in the rack. Complete the installation of the first system in the rack before starting the second. Never pull more than one system out of the rack at a time.



CAUTION: Installing multiple system systems in a rack will require up to four persons, and might require an elevated platform on which to stand.

1. Using two to four persons, lift the system into position in front of the rack.
2. Tilt the rear of the system upward and position on the RapidRails (see Figure 1-5).
3. Push the system chassis into the rack until the mounting ears rest against the vertical rails.
4. Tighten the captive thumbscrews on the mounting ears to secure the system chassis to the rack.

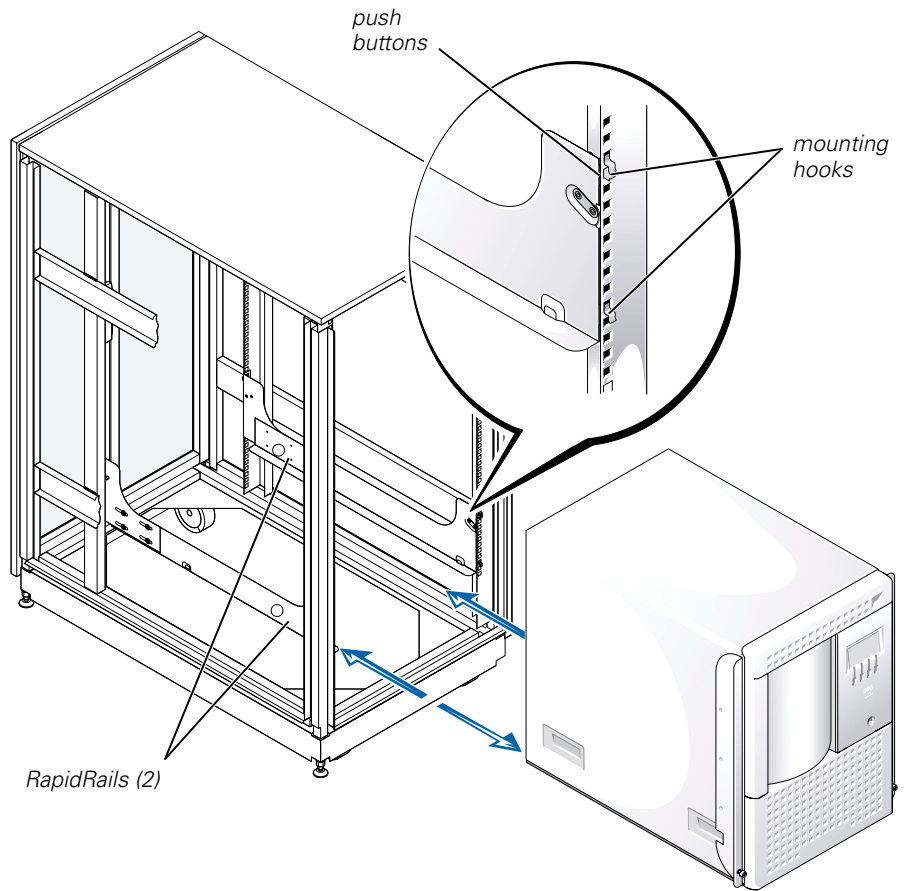


Figure 1-5. Installing the System in the Rack

GUIDE D'INSTALLATION DU RACK

Remarques, mises en gardes et avertissements

Tout au long de ce guide, certains blocs de texte peuvent être accompagnés d'une icône et imprimés en gras ou en italique. Ces blocs de texte correspondent à des remarques, des mises en garde et des avertissements, et sont utilisés comme suit :



REMARQUE : Une *REMARQUE* indique une information importante destinée à vous aider à mieux utiliser votre système informatique.

MISE EN GARDE : Une **MISE EN GARDE** indique un dommage potentiel pouvant survenir (ou une perte de données) et vous dit comment éviter le problème.



ATTENTION : le message **ATTENTION** indique une situation potentiellement dangereuse qui, si elle n'est pas évitée, peut provoquer une blessure mineure ou modérée.



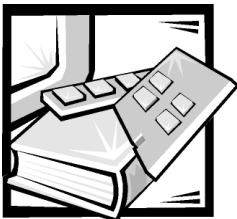
AVERTISSEMENT : Un **AVERTISSEMENT** indique une situation potentiellement dangereuse qui, si elle n'est pas évitée, pourrait provoquer la mort ou une blessure corporelle sévère.

**Les informations fournies dans ce guide sont susceptibles d'être modifiées sans préavis.
© 2001 Dell Computer Corporation. Tous droits réservés.**

La reproduction de ce document de quelque manière que ce soit sans l'autorisation écrite de Dell Computer Corporation est strictement interdite.

Marques déposées utilisées dans ce guide : *Dell*, le logo *DELL*, *PowerVault*, *PowerEdge* et *RapidRails* sont des marques déposées de Dell Computer Corporation.

Toutes les autres marques déposées et noms de marques utilisés dans ce document se rapportent aux sociétés propriétaires des marques et des noms de ces produits. Dell Computer Corporation décline tout intérêt dans l'utilisation des marques déposées et des noms de marques ne lui appartenant pas.



Instructions de sécurité

Respectez les consignes de sécurité de ce guide pour assurer votre sécurité personnelle et pour contribuer à protéger votre serveur, votre système de stockage ou appareil, des dommages potentiels. Pour obtenir toutes les informations de sécurité réglementaires et les garanties, reportez-vous au document intitulé *Informations système*.

Remarques, mises en gardes et avertissements

Tout au long de ce guide, certains blocs de texte peuvent être accompagnés d'une icône et imprimés en gras ou en italique. Ces blocs de texte correspondent à des remarques, des mises en garde et des avertissements, et sont utilisés comme suit :



REMARQUE : Une *REMARQUE* indique une information importante destinée à vous aider à mieux utiliser votre système informatique.

MISE EN GARDE : Une **MISE EN GARDE** indique un dommage potentiel pouvant survenir (ou une perte de données) et vous dit comment éviter le problème.



ATTENTION : le message **ATTENTION** indique une situation potentiellement dangereuse qui, si elle n'est pas évitée, peut provoquer une blessure mineure ou modérée.



AVERTISSEMENT : Un **AVERTISSEMENT** indique une situation potentiellement dangereuse qui, si elle n'est pas évitée, pourrait provoquer la mort ou une blessure corporelle sévère.



Précautions à suivre concernant les produits destinés à être montés dans des racks

Pour la stabilité du rack et pour votre sécurité, veuillez respecter les précautions suivantes. Reportez-vous également à la documentation accompagnant le système et le rack pour connaître les avertissements et/ou les mises en garde et les procédures spécifiques.

Les serveurs, les systèmes de stockage et les appareils sont considérés comme les composants d'un rack. Ainsi, le terme "composant" fait référence à tout serveur, tout système de stockage ou appareil, aussi bien qu'aux différents périphériques ou matériels.



AVERTISSEMENT : l'installation de composants d'un système Dell dans un rack sans placer de stabilisateurs avant et latéraux peut provoquer le basculement du rack, et générer des blessures potentielles dans certaines situations. C'est pourquoi il faut toujours installer les stabilisateurs avant d'installer les composants dans le rack.

Après avoir installé le système/les composants dans un rack, ne tirez jamais plus d'un composant du rack en même temps à l'aide de l'axe coulissant. Le poids représenté par plus d'un composant étendu pourrait en effet provoquer le basculement du rack et blesser l'utilisateur.



REMARQUE : les serveurs, systèmes de stockage et appareils Dell sont certifiés comme composants pouvant être installés dans les armoires racks Dell à l'aide du kit de rack client Dell. L'installation finale des systèmes et des kits de rack Dell dans un rack d'autre marque n'est approuvée par aucune agence de sécurité. Il est de l'entière responsabilité du client de combiner les systèmes et les kits de rack Dell avec des racks d'autres marques dont la compatibilité a été évaluée par une agence de sécurité agréée.

- Les kits de racks sont destinés à être installés dans un rack Dell par des techniciens expérimentés. Si vous installez ce kit dans tout autre rack, assurez-vous que ce rack répond à toutes les spécifications d'un rack Dell.
- Ne déplacez pas seuls les racks volumineux. En raison de la hauteur et du poids du rack, Dell recommande d'être au minimum deux personnes pour réaliser cette tâche.
- Avant de travailler sur le rack, assurez-vous que les stabilisateurs sont bien en place sur le rack et au sol, et que tout le poids du rack repose sur le sol. Installez les stabilisateurs avant et latéraux (pour un rack simple) ou les stabilisateurs avant (pour les racks multiples) avant de travailler sur le rack.
- Chargez toujours le rack du bas vers le haut, en plaçant toujours la plus forte charge en premier.
- Assurez-vous que le rack est bien de niveau avant de sortir l'un des composants à l'aide des axes coulissants.
- Agissez avec précaution lorsque vous appuyez sur les verrous des rails pour les libérer et faire glisser un composant hors ou dans le rack. Les rails coulissants pourraient en effet vous coincer les doigts.
- Après avoir inséré un composant dans le rack, étendez le rail en position maximum jusqu'à son verrouillage puis faites glisser le composant dans le rack.
- Ne surchargez pas le circuit d'alimentation c.a. dérivé alimentant le rack en électricité. La charge totale du rack ne doit pas excéder 80 % de la puissance du circuit dérivé.
- Assurez-vous que l'air circule suffisamment entre les composants du rack.
- Ne montez jamais sur l'un des composants du système lors de l'entretien.



Guide d'installation du rack

Ce guide d'installation contient des instructions à l'intention de techniciens de maintenance qualifiés, en vue de l'installation d'un ou de plusieurs systèmes Dell™ PowerVault™ 136T dans une armoire rack Dell PowerEdge™ à quatre postes. Les armoires racks de hauteur 24 U et 42 U sont toutes les deux compatibles. Un kit de rack est nécessaire pour chaque système devant être installé dans le rack.

Avant de commencer l'installation, lisez soigneusement ce document en entier.

Contenu du kit du rack

Le kit du rack comprend les éléments suivants (voir Figure 2-1):

- Une paire de rails RapidRails™
- Un modèle de rack



REMARQUE : si vous avez acheté un rack Dell en même temps que votre système, certains composants matériels peuvent être préinstallés sur le rack.

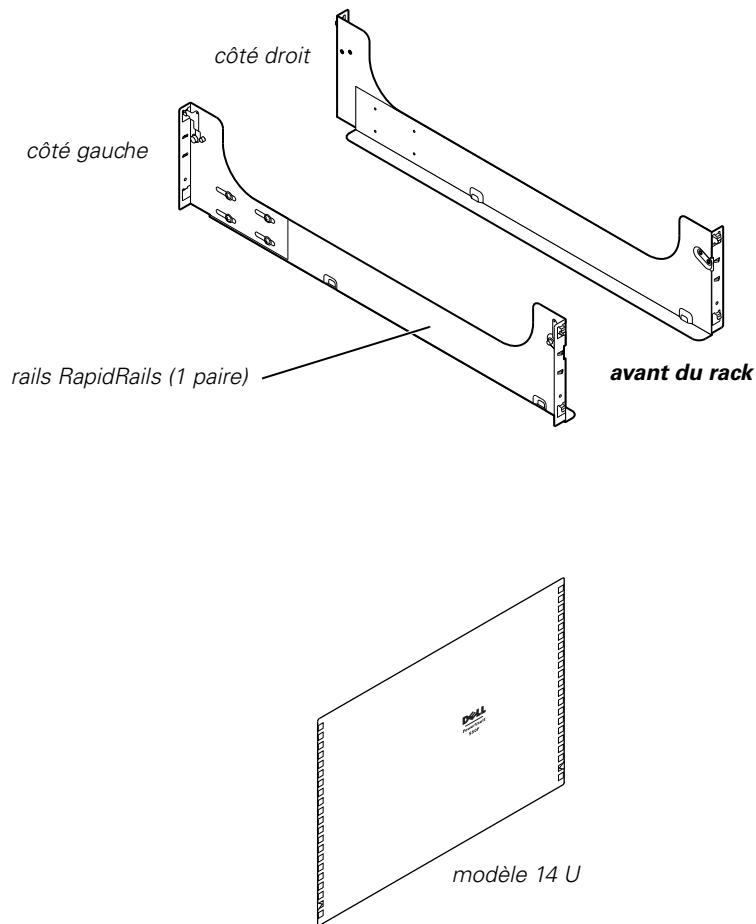


Figure 2-1. Contenu du kit du rack

Avant de commencer

Lisez les instructions de sécurité au début de ce document, ainsi que les instructions de sécurité fournies avec le document *Informations sur le système* pour plus d'informations.



ATTENTION : lorsque vous installez plusieurs systèmes dans un rack, exécutez toutes les procédures s'appliquant au système en cours avant d'essayer d'installer le système suivant.



REMARQUES : si vous avez acheté une armoire rack Dell en même temps que votre système, les axes coulissants peuvent être préinstallés sur le rack.

Pour obtenir des instructions sur l'installation du système lui-même, reportez-vous au chapitre "Installation du système dans le rack à quatre postes" dans la suite de ce document.

Informations importantes sur la sécurité

Observez les précautions de sécurité décrites dans les sous-sections suivantes lors de l'installation de votre système dans le rack.



AVERTISSEMENT : vous devez respecter à la lettre les procédures de ce document afin de garantir votre propre protection ainsi que celle d'autrui. Les systèmes sont extrêmement lourds et volumineux. Une préparation et une planification adéquates sont donc importantes afin d'éviter tout risque de blessure pour vous-même ou autrui. Ces précautions sont d'autant plus importantes lorsque les systèmes sont installés très haut dans le rack.

Restrictions concernant l'installation du kit



ATTENTION : les serveurs Dell sont certifiés comme composants pouvant être installés dans les armoires racks Dell à l'aide des kits de rack client Dell. L'installation finale des serveurs et des kits de rack Dell dans un rack d'autre marque n'est approuvée par aucune agence de sécurité. Il est de l'entière responsabilité du client de combiner les serveurs et les kits de rack Dell avec des racks d'autres marques dont la compatibilité a été évaluée par une agence de sécurité agréée.

Ce kit de rack est destiné à être installé dans un rack Dell par des techniciens expérimentés. Si vous installez ce kit dans tout autre rack, assurez-vous que ce rack répond à toutes les spécifications d'un rack Dell.

Pieds stabilisateurs du rack



ATTENTION : si vous installez un système Dell dans un rack sans placer de pieds stabilisateurs avant et latéraux fixés au sol, le rack peut basculer et vous risquez de vous blesser dans certaines situations. C'est pourquoi il faut toujours installer et fixer les pieds stabilisateurs avant d'installer les composants dans le rack.



ATTENTION : après avoir installé des systèmes dans un rack, ne retirez jamais plus d'un système à la fois hors du rack à l'aide de ses axes coulissants. Le poids représenté par plus d'un système lorsqu'il est extrait pourrait en effet provoquer le basculement du rack et blesser l'utilisateur.

Les pieds stabilisateurs empêchent le rack de basculer lorsque vous extrayez un système ou un autre composant hors du rack, en faisant complètement ressortir les axes coulissants. Consultez la documentation fournie avec le rack pour savoir comment installer et fixer les pieds stabilisateurs.

Outils et fournitures recommandés

Pour installer les composants du kit de rack, vous avez besoin des outils suivants :

- Un mètre
- Un niveau
- Un modèle d'installation (fourni avec le kit)
- De la bande protectrice adhésive ou un stylo feutre pour marquer les trous de montage à utiliser.

Tâches d'installation

Pour installer le kit de rack et le système dans une armoire rack, vous devez effectuer les tâches suivantes :

- Marquage du rack
- Installation des rails RapidRails dans le rack
- Installation du châssis du système dans le rack

Si vous installez le kit de rack dans une armoire rack PowerVault 4210, reportez-vous aux procédures dans *Dell PowerVault 4210 – Guide d'installation du rack*.

Marquage du rack



REMARQUE : si les rails RapidRails ont été préinstallés par Dell, vous pouvez sauter cette section.

Vous devez laisser un espace vertical de 14 U (62 cm/24,5 pouces) pour chaque système installé dans le rack.

1. Déterminez l'endroit où vous souhaitez installer le système dans le rack. (Pour plus d'informations sur la configuration d'un rack Dell, consultez le logiciel Dell Rack Advisor disponible sur le site Web de Dell à l'adresse <http://support.dell.com>.)



ATTENTION : si vous installez plus d'un système, installez le premier système le plus bas possible dans le rack.

Si vous avez l'intention d'installer plusieurs systèmes PowerVault dans le rack, vous devez installer les rails RapidRails en laissant un espace vertical de 14 U (62 cm/24,5 pouces) entre la *partie inférieure* d'un axe coulissant et la *partie inférieure* du suivant. Dans le rack Dell, les rails sont marqués avec de petits crans par paliers de 1 U (4,4 cm/1,75 pouces) ou par des marques 1 U numérotées sur les surfaces externes et internes des rails verticaux avant et arrière (voir Figure 2-2).

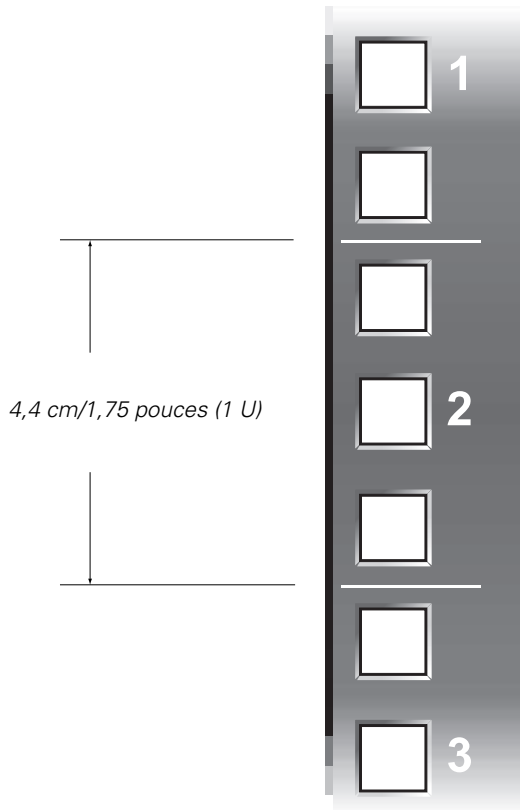


Figure 2-2. Unité à un rack

Placez l'avant du modèle sur les rails verticaux à l'avant du rack, à l'endroit où vous souhaitez installer le système, puis placez le bas du modèle en le faisant correspondre avec la position où vous souhaitez installer le bas du châssis du système.

Veillez à ce que la face imprimée du modèle soit orientée face à l'extérieur.

2. Marquez les rails verticaux de l'avant du rack avec un stylo feutre ou placez de la bande protectrice adhésive à l'endroit où vont venir se placer les bords supérieurs et inférieurs du système (voir Figure 2-3).
3. Faites une marque ou placez de la bande protectrice adhésive sur les rails verticaux en face des encoches en "V" du modèle.
4. A l'arrière de l'armoire rack, répétez les étapes 2 et 3 afin de marquer le rail arrière, en veillant à ce que la face imprimée du modèle soit orientée face à l'extérieur.

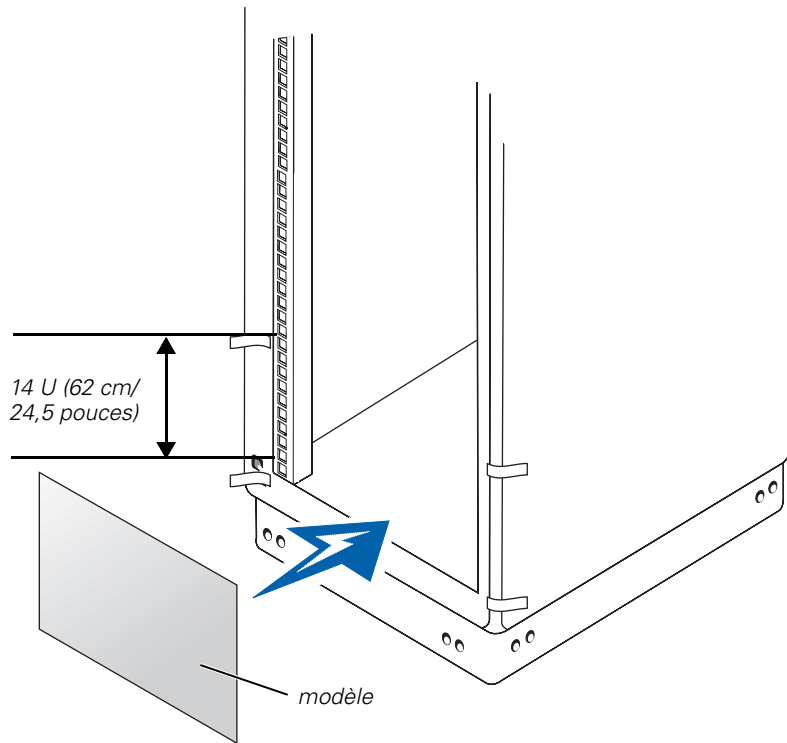


Figure 2-3. Marquage du rack

Installation des rails RapidRails dans le rack

Pour installer les rails dans le rack, procédez comme suit :

1. Faites glisser la bride de fixation arrière vers le centre des axes coulissants afin de réduire légèrement la longueur totale des axes (voir Figure 2-4).

La bride de fixation à chaque extrémité des axes coulissants est équipée de deux crochets qui passent dans des trous dans le rail vertical.
2. Placez la bride de fixation de l'un des axes coulissants contre le côté interne du rail vertical avant du rack, afin que le crochet inférieur passe dans le trou désigné par l'encoche inférieure en "V" du modèle.
3. Poussez la bride de fixation avant contre la surface interne du rail avant et exercez une pression vers le bas.

Les crochets de fixation s'enfoncent et la languette de verrouillage carrée s'introduit dans le trou carré, juste sous le crochet de fixation supérieur.

4. Faites glisser la bride de fixation arrière vers l'arrière jusqu'à ce qu'elle se loge tout contre la face interne du rail vertical arrière.

5. Poussez la bride de fixation arrière contre la surface interne du rail arrière et exercez une pression vers le bas.

Les crochets de fixation s'enfoncent et la languette de verrouillage carrée s'introduit dans le trou carré, juste sous le crochet de fixation supérieur.

6. Répétez les étapes 1 à 5 pour installer les seconds axes coulissants.

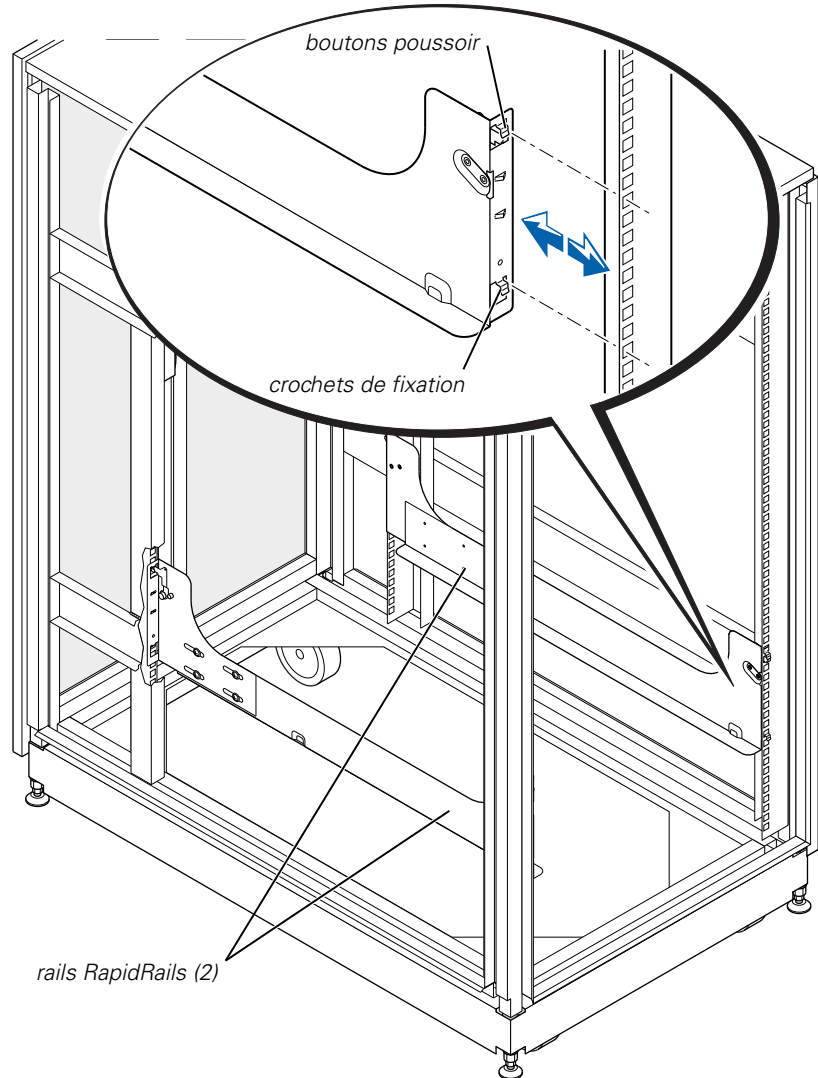


Figure 2-4. Installation des rails RapidRails

Installation d'un système dans le rack

Les sous-sections suivantes contiennent les instructions d'installation d'un système dans le rack.

Installation du système



ATTENTION : si vous installez plus d'un système, installez le premier système le plus bas possible dans le rack. Terminez l'installation du premier système dans le rack avant de commencer celle du second. Ne retirez jamais plus d'un système du rack en même temps.



ATTENTION : il faut au moins quatre personnes pour installer plusieurs systèmes dans un rack ; les installateurs devront éventuellement utiliser une plate-forme surélevée pour travailler.

1. Deux à quatre personnes doivent soulever le système afin de le positionner en face du rack.
2. Inclinez l'arrière du système vers le haut et positionnez-le sur les rails RapidRails (voir Figure 2-5).
3. Poussez le châssis du système dans le rack jusqu'à ce que les fixations reposent contre les rails verticaux.
4. Serrez les vis à molette captives situées de chaque côté des fixations pour fixer le châssis du système sur le rack.

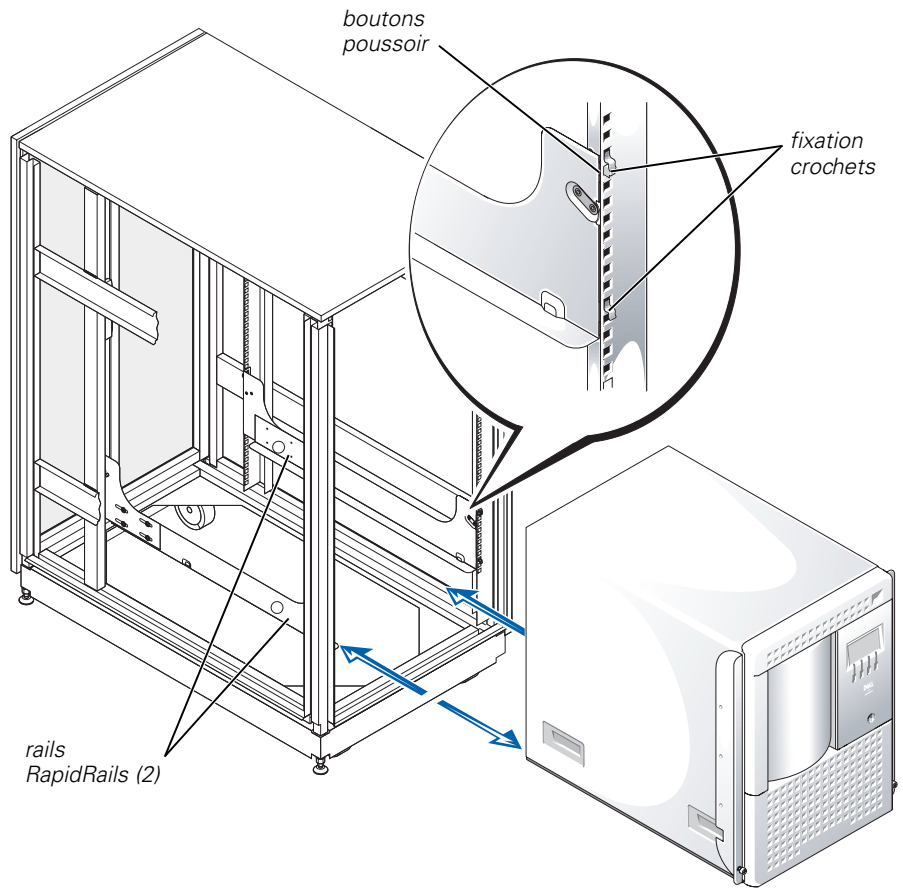


Figure 2-5. Installation du système dans le rack

Dell™-Systeme

RACK-INSTALLATIONSANLEITUNG

www.dell.com
support.dell.com



Anmerkungen, Hinweise, Vorsichtsmaßnahmen und Warnungen

In dieser Anleitung sind einige Textabschnitte durch ein Symbol gekennzeichnet und fett oder kursiv gedruckt. Bei diesen Abschnitten handelt es sich um Hinweise, Achtungs-Kennzeichnungen und Warnungen, die wie folgt verwendet werden:



HINWEIS: Ein HINWEIS enthält wichtige Informationen, mit deren Hilfe Sie Ihr Computersystem besser nutzen können.

BITTE BEACHTEN: Ein BITTE BEACHTEN weist auf eine mögliche Beschädigung von Hardware oder den Verlust von Daten hin und wie dieses Problem vermieden werden kann.



VORSICHT: Ein VORSICHT warnt vor einer möglicherweise gefährlichen Situation, die bei Nichtbeachten zu leichten oder mittelschweren Verletzungen führen kann.



WARNUNG: Ein WARNUNG warnt vor einer möglicherweise gefährlichen Situation, die bei Nichtbeachten zu schweren oder sogar tödlichen Verletzungen führen kann.

Die in diesem Dokument enthaltenen Informationen können ohne Vorankündigung geändert werden.

© 2001 Dell Computer Corporation. Alle Rechte vorbehalten.

Eine Reproduktion dieses Dokuments in jeglicher Form ist nur mit vorheriger schriftlicher Genehmigung der Dell Computer Corporation erlaubt.

Die in diesem Text verwendeten Warenzeichen: *Dell*, das *DELL*-Firmenzeichen, *PowerVault*, *PowerEdge* und *RapidRails* sind Warenzeichen der Dell Computer Corporation.

Andere in diesem Dokument möglicherweise verwendete Warenzeichen und Handelsbezeichnungen sind unter Umständen Marken und Namen der entsprechenden Firmen oder ihrer Produkte. Die Dell Computer Corporation erhebt keinen Anspruch auf Warenzeichen oder Handelsnamen mit Ausnahme ihrer eigenen.



Sicherheitshinweise

Beachten Sie die nachfolgenden Sicherheitshinweise, um Ihre eigene Sicherheit zu gewährleisten und Schäden an Ihrem Server, Speichersystem oder an Ihren Geräten zu vermeiden. Vollständige Informationen über die Sicherheitsanforderungen, Vorschriften und Garantiebedingungen finden Sie in dem zu Ihrem System gehörenden Dokument *Systeminformationen*.

Anmerkungen, Hinweise, Vorsichtsmaßnahmen und Warnungen

In dieser Anleitung sind einige Textabschnitte durch ein Symbol gekennzeichnet und fett oder kursiv gedruckt. Bei diesen Abschnitten handelt es sich um Hinweise, Achtungs-Kennzeichnungen und Warnungen, die wie folgt verwendet werden:



HINWEIS: Ein HINWEIS enthält wichtige Informationen, mit deren Hilfe Sie Ihr Computersystem besser nutzen können.

BITTE BEACHTEN: Ein BITTE BEACHTEN weist auf eine mögliche Beschädigung von Hardware oder den Verlust von Daten hin und wie dieses Problem vermieden werden kann.



VORSICHT: Ein VORSICHT warnt vor einer möglicherweise gefährlichen Situation, die bei Nichtbeachten zu leichten oder mittelschweren Verletzungen führen kann.



WARNUNG: Ein WARNUNG warnt vor einer möglicherweise gefährlichen Situation, die bei Nichtbeachten zu schweren oder sogar tödlichen Verletzungen führen kann.



Vorsichtsmaßnahmen für rackmontierbare Produkte

Um die Stabilität und Sicherheit des Racks zu gewährleisten, befolgen Sie bitte die folgenden Vorsichtsmaßnahmen. Spezielle Warnungen und/oder Sicherheitshinweise und Prozeduren finden Sie auch in der zum System gehörenden Dokumentation zur Rack-Installation.

Server, Speichersysteme und Geräte werden als Komponenten in einem Rack betrachtet. Der Begriff "Komponente" bezieht sich also auf einen beliebigen Server, ein Speichersystem oder ein Gerät, sowie auf verschiedene Peripheriegeräte oder Zusatzhardware.



WARNUNG: Werden Dell-Systemkomponenten in einem Dell-Rack ohne die vorderen und seitlichen Stabilisatoren installiert, kann das Rack umkippen, was unter bestimmten Bedingungen zu Verletzungen führen kann. Installieren Sie daher immer erst die Stabilisatoren, bevor Sie Komponenten im Rack installieren.

Nach der Installation von Systemen/Komponenten in einem Rack ziehen Sie niemals mehr als eine Komponente gleichzeitig auf ihren Gleitschienen aus dem Rack. Durch das Gewicht von mehr als einer Komponente kann das Rack umkippen, wodurch sich jemand verletzen kann.



HINWEIS: Dell-Server, Speichersysteme und Geräte sind für den Einsatz als Komponenten in Dell-Gestellschränken zertifiziert, wozu das Dell Customer Rack Kit verwendet werden muss. Die endgültige Installation von Dell-Systemen und Rack-Kits in Gestellschränken anderer Hersteller wurde von keiner Prüfbehörde genehmigt. Es ist Sache des Kunden, für die endgültige Kombination von Dell-Systemen und Rack-Kits für den Einsatz in Gestellschränken anderer Hersteller die Überprüfung der Eignung durch eine zertifizierte Prüfbehörde durchführen zu lassen.

- System-Rack-Kits müssen von geschulten Servicetechnikern in einem Dell-Rack installiert werden. Wenn Sie das Kit in einem anderen Rack installieren, vergewissern Sie sich, dass das Rack die Spezifikationen eines Dell-Racks erfüllt.
- Bewegen Sie große Racks nicht alleine. Wegen der Höhe und des Gewichtes des Racks empfiehlt Dell, diese Arbeit mit mindestens zwei Leuten durchzuführen.
- Bevor Sie an einem Rack arbeiten, vergewissern Sie sich, dass die Stabilisatoren am Rack befestigt sind, bis auf den Boden reichen und dass das gesamte Gewicht des Racks auf dem Boden lastet. Installieren Sie an einem einzelnen Rack vordere und seitliche Stabilisatoren oder an mehreren miteinander verbundenen Racks vordere Stabilisatoren, bevor Sie an dem Rack arbeiten.
- Belasten Sie das Rack immer von unten nach oben, und bauen Sie die schwerste Komponente zuerst im Rack ein.
- Vergewissern Sie sich, dass das Rack eben und stabil steht, bevor Sie eine Komponente aus dem Rack ziehen.
- Seien Sie vorsichtig, wenn Sie auf die Verriegelung der Schiene der Komponente drücken und eine Komponente in das Rack schieben oder aus dem Rack ziehen, da Sie sich in den Gleitschienen die Finger klemmen können.
- Nachdem eine Komponente in das Rack eingesetzt ist, ziehen Sie die Schienen vorsichtig bis in die Verriegelungsposition, und schieben Sie dann die Komponente in das Rack.

- Überlasten Sie nicht den Wechselstromkreis, über den das Rack mit Strom versorgt wird. Die Gesamtlast des Racks sollte 80 Prozent der Nennbelastbarkeit des Stromkreises nicht überschreiten.
- Stellen Sie sicher, dass eine ausreichende Luftzufuhr zu den Komponenten im Rack gewährleistet ist.
- Treten Sie nicht und stellen Sie sich nicht auf ein System / eine Komponente, wenn Sie an anderen Systemen/Komponenten in einem Rack Arbeiten durchführen.



Rack-Installationsanleitung

Diese Installationsanleitung enthält Anweisungen für geschulte Servicetechniker, um ein oder mehrere Dell™ PowerVault™ 136T-Systeme in einem Dell PowerEdge™-Gestellschrank mit vier Stützen zu installieren. Es können sowohl 42-U- als auch 24-U-Gestellschränke installiert werden. Für jedes im Rack zu installierende System wird ein Rack-Kit benötigt.

Bevor Sie diese Installation beginnen, sollten Sie dieses gesamte Dokument sorgfältig lesen.

Inhalt des Rack-Kits

Das Rack-Kit beinhaltet (siehe Abbildung 3-1):

- Ein Paar RapidRails™
- Eine Rack-Schablone



HINWEIS: Wenn Sie zusammen mit Ihrem System ein Dell-Rack gekauft haben, kann es sein, dass ein Teil der Hardware bereits im Rack installiert ist.

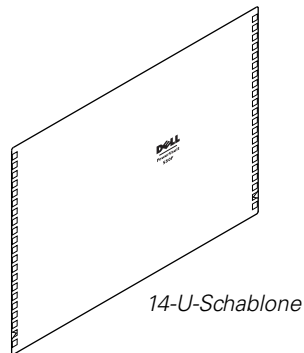
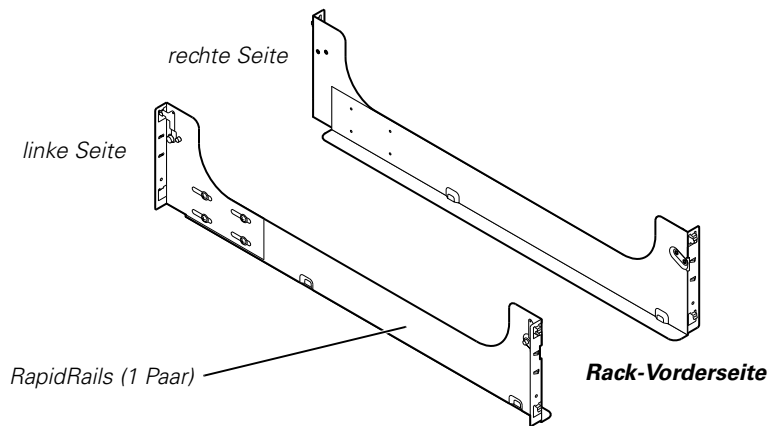


Abbildung 3-1. Inhalt des Rack-Kits

Bevor Sie beginnen

Weitere Informationen finden Sie in den Sicherheitshinweisen am Anfang dieses Dokuments, sowie in den Sicherheitshinweisen im Dokument *Systeminformationen* Ihres Systems.



VORSICHT: Wenn Sie mehrere Systeme in einem Rack installieren, beenden Sie alle Prozeduren für das gerade installierte System, bevor Sie das nächste System installieren.



HINWEISE: Wenn Sie zusammen mit Ihrem System einen Dell-Gestellschrank gekauft haben, kann es sein, dass die Schiebereinheiten bereits im Rack installiert sind.

Anleitungen zur Installation des Systems selbst finden Sie im Abschnitt "Installation eines Systems im Rack" später in diesem Dokument.

Wichtige Sicherheitsinformationen

Beachten Sie die Sicherheitsmaßnahmen in den folgenden Unterabschnitten, wenn Sie Ihr System im Rack installieren.



WARNUNG: Die in diesem Dokument angegebenen Prozeduren müssen exakt befolgt werden, damit Sie selbst und andere Beteiligte nicht gefährdet sind. Die Systeme sind sehr schwer und voluminös, und eine richtige Vorbereitung und Planung ist wichtig, damit Sie selbst und andere sich nicht verletzen. Dies ist um so wichtiger, wenn Systeme oben im Rack installiert werden.

Kit-Installationseinschränkungen



VORSICHT: Dell-Serversysteme sind für den Einsatz als Komponenten in Dell-Gestellschränken zertifiziert, wozu Dell Customer Rack Kits verwendet werden müssen. Die Installation von Dell-Servern und Rack-Kits in Gestellschränken anderer Hersteller wurde von keiner Prüfbehörde genehmigt. Es ist Sache des Kunden, für die endgültige Kombination von Dell-Servern und Rack-Kits für den Einsatz in Gestellschränken anderer Hersteller die Überprüfung der Eignung durch eine zertifizierte Prüfbehörde durchführen zu lassen.

Dieses Rack-Kit muss von geschulten Servicetechnikern in einem Dell-Rack installiert werden. Wenn Sie das Kit in einem anderen Rack installieren, vergewissern Sie sich, dass das Rack die Spezifikationen des Dell-Racks erfüllt.

Rack-Stabilisatoren



VORSICHT: Wird ein System in einem Dell-Rack installiert, ohne dass die vorderen und seitlichen Stabilisatoren installiert und am Boden befestigt sind, kann das Rack umkippen, was unter bestimmten Bedingungen zu Verletzungen führen kann. Installieren und befestigen Sie daher immer erst die Stabilisatoren, bevor Sie Komponenten im Rack installieren.



VORSICHT: Nach der Installation von Systemen in einem Rack ziehen Sie niemals mehr als ein System gleichzeitig auf den Gleitschienen aus dem Rack. Durch das Gewicht von mehr als einem herausgezogenen System kann das Rack umkippen, wodurch sich jemand verletzen kann.

Die Stabilisatoren verhindern, dass das Rack umkippt, wenn ein System oder eine andere Komponente aus dem Rack gezogen wird, so dass die Gleitschienen voll herausgezogen sind. Anleitungen zur Installation und Befestigung der Stabilisatoren finden Sie in der mit dem Rack mitgelieferten Dokumentation.

Empfohlene Werkzeuge und Zubehör

Um die Rack-Kit-Komponenten zu installieren, benötigen Sie folgende Werkzeuge:

- Ein Massband
- Eine Wasserwaage

- Installations-Schablone (mit dem Kit mitgeliefert)
- Kreppband oder einen Filzstift (zur Markierung der für die Montage zu verwendenden Löcher)

Installationsarbeiten

Um das Rack-Kit und das System im Gestellschrank zu installieren, sind folgende Arbeiten erforderlich:

- Markieren des Racks
- Installation der RapidRails im Rack
- Installieren des Systemgehäuses im Rack

Wenn Sie das Rack-Kit in einem PowerVault 4210-Gestellschrank installieren, siehe die Prozeduren in *Installationshinweise für das Dell PowerVault 4210-Rack*.

Markieren des Racks



HINWEIS: Wenn die RapidRails von Dell vorinstalliert sind, können Sie diesen Abschnitt überspringen.

Zwischen jedem System, das Sie im Rack installieren, müssen Sie 14 Einheiten (U) oder 24,5 Zoll vertikalen Abstand lassen.

1. Legen Sie fest, wo Sie die das System im Rack installieren wollen. (Weitere Informationen über die Konfiguration eines Dell-Racks finden Sie in der Software Dell Rack Advisor im Internet auf der Dell-Website unter <http://support.dell.com>.)



VORSICHT: Wenn Sie mehr als ein System installieren, installieren Sie das erste System in der untersten möglichen Position im Rack.

Wenn Sie beabsichtigen, mehr als ein PowerVault-System im Rack zu installieren, müssen Sie die RapidRails so installieren, dass 14 U (24,5 Zoll) vertikaler Abstand zwischen der *Unterseite* einer Schiebeeinheit und der *Unterseite* der nächsten ist. Im Dell-Rack sind die Schienen des Racks entweder durch kleine Vertiefungen im Abständen von 1 U (1,75 Zoll) markiert oder durch nummerierte 1-U-Markierungen sowohl auf der Außen- als auch auf der Innenseite der vorderen und der hinteren vertikalen Schienen markiert (siehe Abbildung 3-2).

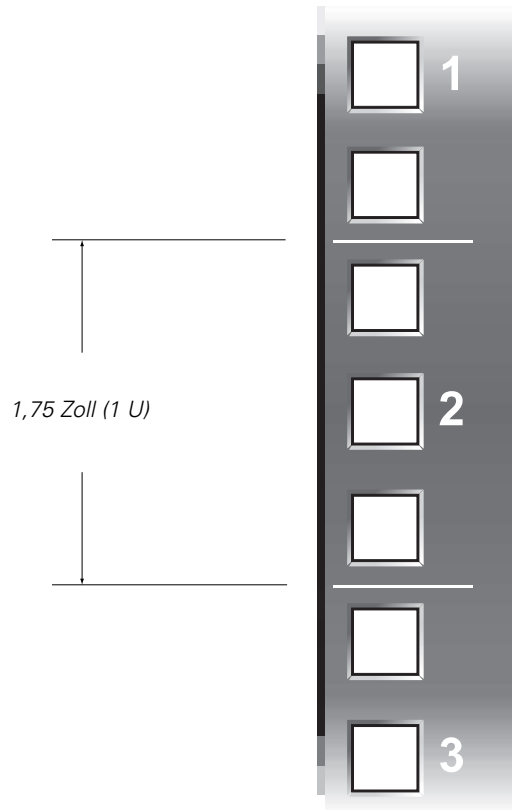


Abbildung 3-2. Eine Rack-Einheit

Platzieren Sie die Vorderseite der Schablone auf den vorderen vertikalen Schienen dort, wo Sie das System installieren wollen, und positionieren Sie die Unterseite der Schablone in der gewünschten unteren Position des Systemgehäuses.

Stellen Sie sicher, dass die Beschriftung der Schablone die nach außen zeigende Seite als Vorderseite der Schablone kennzeichnet.

2. Markieren Sie die vorderen vertikalen Schienen mit einem Filzstift oder bringen Sie Kreppband dort an, wo sich die obere und die untere Kante des Systems befinden werden (siehe Abbildung 3-3).
3. Bringen Sie eine Markierung oder Kreppband an den vertikalen Schienen neben den V-förmigen Kerben in der Schablone an.

4. Wiederholen Sie die Schritte 2 und 3 für die Rückseite des Rack-Schranks, um die hintere Schiene zu markieren, und stellen Sie sicher, dass die Beschriftung der Schablone die nach außen zeigende Seite als Rückseite der Schablone kennzeichnet.

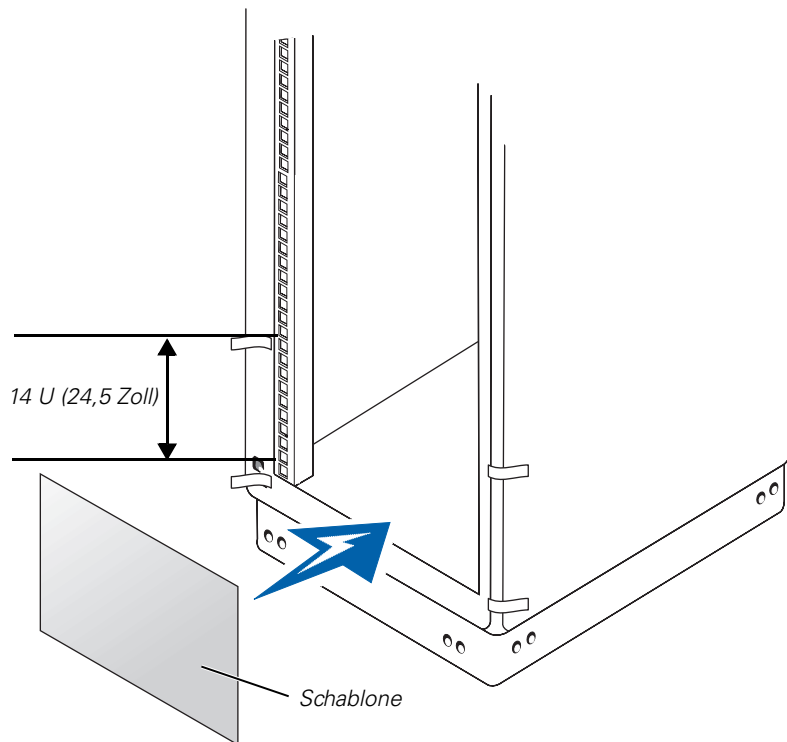


Abbildung 3-3. Markieren des Racks

Installation der RapidRails im Rack

Um die Schienen im Rack zu installieren, führen Sie folgende Schritte aus:

1. Schieben Sie den Flansch der Montagehalterung zur Mitte der Schiebeeinheit, um die Gesamtlänge der Schiebeeinheit leicht zu verringern (siehe Abbildung 3-4).

Der Montageflansch an jedem Ende der Schiebeeinheit hat zwei Haken, die in die Löcher der vertikalen Schienen passen.

2. Positionieren Sie den Montageflansch der Schiebeeinheit vor die Innenseite der vorderen vertikalen Schiene des Racks, so dass der untere Haken sich in dem Loch befindet, der durch die untere V-förmige Kerbe der Schablone gekennzeichnet ist.

3. Drücken Sie den vorderen Montageflansch gegen die Innenseite der vorderen Schiene, und drücken Sie ihn herunter.

Die Montagehaken bewegen sich nach unten und die rechteckige Verriegelungslasche rastet in das rechteckige Loch direkt unter dem oberen Montagehaken ein.

4. Schieben Sie den hinteren Montageflansch zurück, bis der hintere Montageflansch eng an der Innenseite der hinteren vertikalen Schiene anliegt.

5. Drücken Sie den hinteren Montageflansch gegen die Innenseite der hinteren Schiene, und drücken Sie ihn herunter.

Die Montagehaken bewegen sich nach unten und die rechteckige Verriegelungslasche rastet in das rechteckige Loch direkt unter dem oberen Montagehaken ein.

6. Wiederholen Sie die Schritte 1 bis 5, um die zweite Schiebereinheit zu installieren.

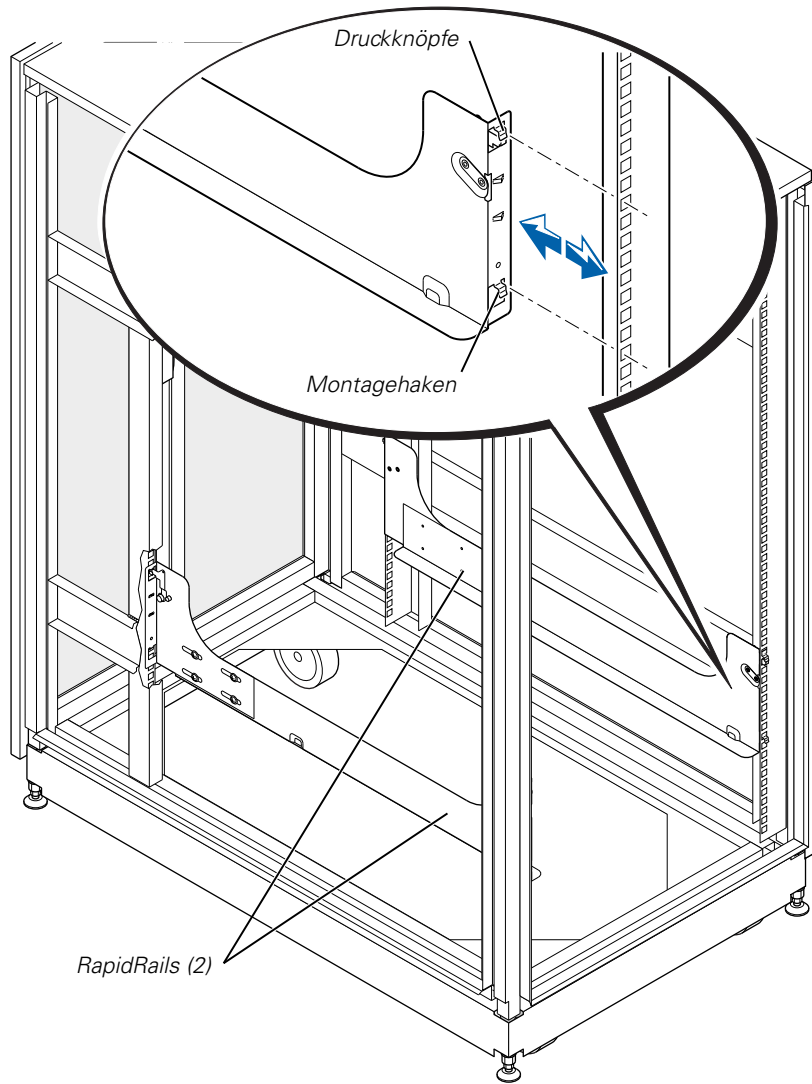


Abbildung 3-4. Installation der RapidRails

Installation eines Systems im Rack

Die folgenden Unterabschnitte enthalten die Anleitungen zur Installation eines Systems im Rack.

Installation des Systems



VORSICHT: Wenn Sie mehr als ein System installieren, installieren Sie das erste System in der untersten möglichen Position im Rack. Führen Sie die Installation des ersten Systems im Rack vollständig durch, bevor Sie mit dem zweiten beginnen. Ziehen Sie niemals mehr als ein System gleichzeitig aus dem Rack heraus.



VORSICHT: Für die Installation mehrerer Systeme in einem Rack werden bis zu vier Personen und eine erhöhte Plattform, auf der man stehen kann, benötigt.

1. Heben Sie mit zwei bis vier Personen das System in Position vor dem Rack.
2. Kippen Sie die Rückseite des Systems nach oben, und positionieren Sie die RapidRails (siehe Abbildung 3-5).
3. Schieben Sie das Systemgehäuse in das Rack, bis die Montageösen gegen die vertikalen Schienen lehnen.
4. Schrauben Sie die selbstsichernden Flügelschrauben an die Montageösen, um das System im Rack zu befestigen.

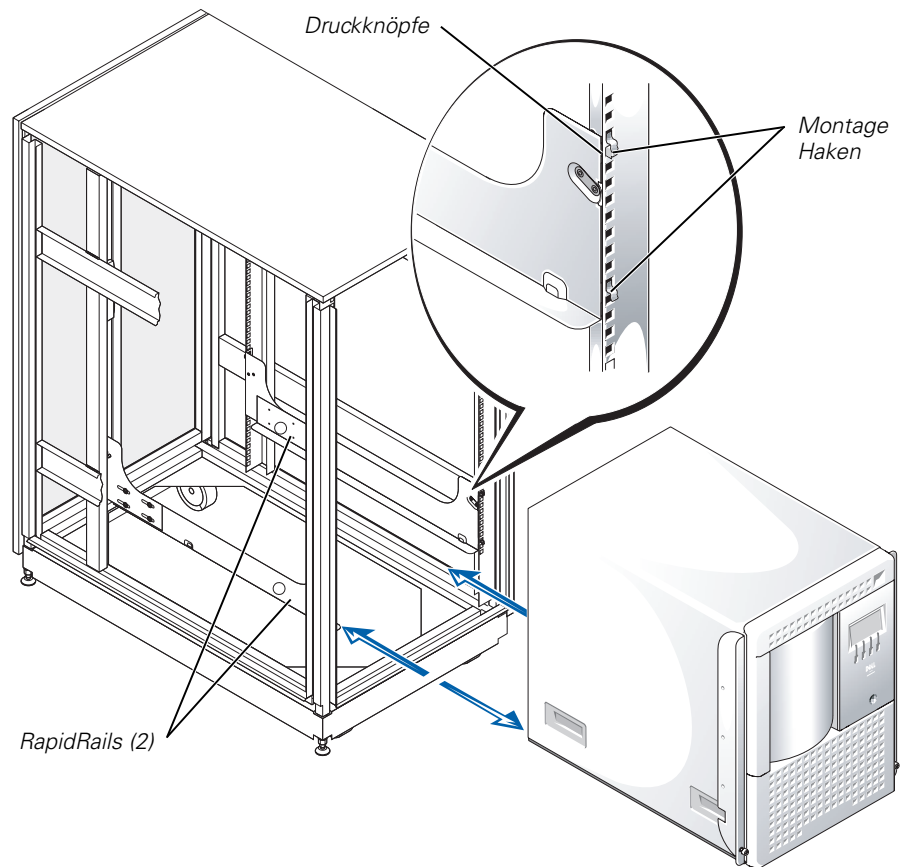


Abbildung 3-5. Installation des Systems im Rack

GUÍA DE MONTAJE EN RACK

Notas, avisos, precauciones y advertencias

En esta guía, los bloques de texto pueden estar en negrita o cursiva e ir acompañados de un icono. Dichos bloques son notas, avisos, precauciones o advertencias, y su significado es el siguiente:



NOTA: una NOTA indica información importante que le ayuda a mejorar el uso de su ordenador.

AVISO: un AVISO indica la posibilidad de un daño potencial del hardware o de la pérdida de datos y cómo evitar el problema.



PRECAUCIÓN: una PRECAUCIÓN indica una situación potencialmente peligrosa que, si no se evita, puede producir lesiones menores o moderadas.



ADVERTENCIA: una ADVERTENCIA indica una situación potencialmente peligrosa que, si no se evita, puede producir lesiones mortales o muy graves.

**La información de este documento está sujeta a modificaciones sin previo aviso.
© 2001 Dell Computer Corporation. Reservados todos los derechos.**

Queda prohibida su reproducción en cualquier medio sin la autorización por escrito de Dell Computer Corporation.

Marcas comerciales que aparecen en el texto: *Dell*, el logotipo de *DELL*, *PowerVault*, *PowerEdge* y *RapidRails* son marcas comerciales de Dell Computer Corporation.

Las demás marcas registradas y nombres comerciales que puedan utilizarse en este documento se refieren a las empresas que figuran en las marcas y nombres de sus productos. Dell Computer Corporation renuncia a cualquier interés de propiedad en las marcas comerciales y los nombres comerciales que no sean los suyos propios.



Instrucciones de seguridad

Siga estas directrices de seguridad, a fin de garantizar su propia seguridad y la del servidor, sistema de almacenamiento o equipo frente a daños potenciales. Para obtener información completa acerca de la seguridad, las normas y la garantía, consulte el documento *Información del sistema* de su equipo.

Notas, avisos, precauciones y advertencias

En esta guía, los bloques de texto pueden estar en negrita o cursiva e ir acompañados de un icono. Dichos bloques son notas, avisos, precauciones o advertencias, y su significado es el siguiente:



NOTA: una **NOTA** indica información importante que le ayuda a mejorar el uso de su ordenador.

AVISO: un **AVISO** indica la posibilidad de un daño potencial del hardware o de la pérdida de datos y cómo evitar el problema.



PRECAUCIÓN: una **PRECAUCIÓN** indica una situación potencialmente peligrosa que, si no se evita, puede producir lesiones menores o moderadas.



ADVERTENCIA: una **ADVERTENCIA** indica una situación potencialmente peligrosa que, si no se evita, puede producir lesiones mortales o muy graves.



Precauciones para los productos montados en rack

Siga estas precauciones para garantizar la estabilidad y seguridad del rack. Consulte también la documentación de montaje en el rack que acompaña al sistema y al rack para obtener las indicaciones y los procedimientos específicos de advertencia y precaución.

Los servidores, sistemas de almacenamiento y equipos se consideran componentes del rack. Así, pues, “componente” se refiere a cualquier servidor, sistema de almacenamiento o equipo, así como a los distintos periféricos o al hardware de soporte.



ADVERTENCIA: la instalación de componentes de sistemas Dell en un rack Dell sin los estabilizadores delanteros o laterales montados puede hacer que vuelque el rack, hecho que puede producir lesiones personales bajo determinadas circunstancias. Por tanto, monte siempre los estabilizadores antes de montar los componentes en el rack.

Después de montar los sistemas o componentes en un rack, nunca extraiga más de un componente sobre sus conjuntos deslizantes de forma simultánea. El peso de más de un componente extraído puede hacer que vuelque el rack y lesionar a alguien.



NOTA: los servidores, sistemas de almacenamiento y equipos de Dell están certificados para su uso en un armario rack Dell con el kit para rack para clientes de Dell. El montaje definitivo de sistemas y kits para rack Dell en armarios rack de cualquier otra marca no ha sido aprobado por ninguna agencia de seguridad. Es responsabilidad del cliente la evaluación, por parte de una agencia de seguridad certificada, de la combinación de sistemas Dell y kits para rack Dell montados en armarios rack de otras marcas.

- Los kits para rack están concebidos para su montaje en un rack Dell por parte de técnicos de servicio con experiencia. Si monta el kit en cualquier otro rack, éste debe cumplir con las especificaciones de un rack Dell.
- No mueva racks de gran tamaño sin ayuda. Debido a la altura y el peso del rack, Dell recomienda un mínimo de dos personas para realizar dicha tarea.
- Antes de trabajar en el rack, los estabilizadores deben estar fijados en el rack, deben llegar al suelo y todo el peso del rack debe descansar sobre el suelo. Antes de trabajar en el rack, monte los estabilizadores delanteros y laterales en un único rack, o estabilizadores delanteros para varios racks unidos.
- Cargue siempre el rack desde la parte inferior hacia arriba, colocando en primer lugar el elemento más pesado en el rack.
- El rack debe estar nivelado y estabilizado antes de extraer un componente del rack.
- Tenga cuidado al presionar los pestillos de liberación de las guías de componentes y al extraer o volver a introducir un componente en el rack, puesto que puede pillarse los dedos con las guías deslizantes.
- Una vez insertado un componente en el rack, extienda con cuidado la guía hasta su posición de bloqueo y deslice el componente en el interior del rack.
- No sobrecargue el ramal del circuito de alimentación de CA que suministra energía al rack. La carga total del rack no debe ser superior al 80 por ciento del valor nominal del ramal del circuito.
- Los componentes del rack deben disponer de suficiente circulación de aire.
- No suba ni se apoye en algún sistema o componente al reparar otros sistemas o componentes del rack.



Guía de montaje en rack

Esta guía de montaje proporciona instrucciones para ayudar a los técnicos de servicio a montar uno o más sistemas Dell™ PowerVault™ 136T en un armario rack de cuatro montantes Dell PowerEdge™. Admite armarios rack de 42 U y 24 U de altura. Para cada sistema que se vaya a montar en el rack se precisa un kit para rack.

Antes de llevar a cabo el montaje, lea el documento completo con atención.

Contenido del kit para rack

El kit para rack incluye los siguientes elementos (consulte la Figura 4-1):

- Un par de RapidRails™
- Una plantilla para rack



NOTA: si ha adquirido un rack Dell con su sistema, es posible que parte del hardware esté ya montado en el rack.

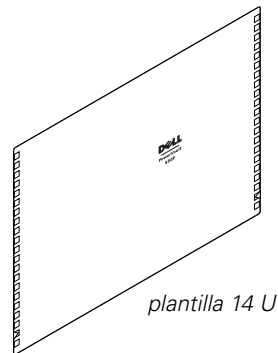
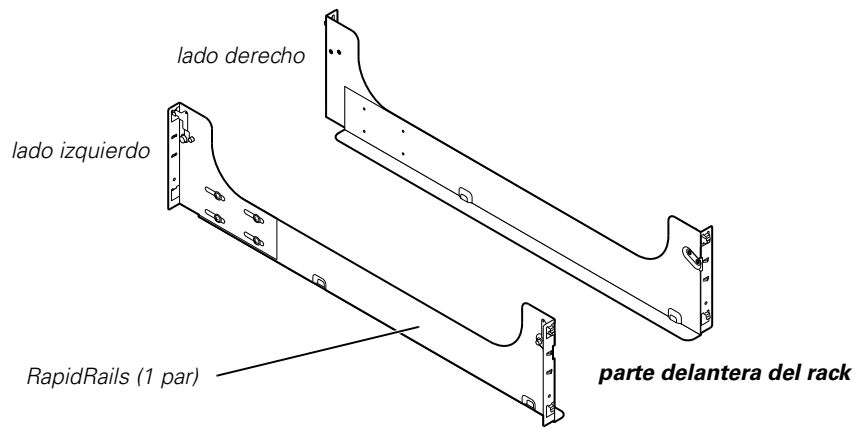


Figura 4-1. Contenido del kit para rack

Antes de empezar

Lea las instrucciones de seguridad que encontrará al principio de este documento, así como las que proporciona el documento *Información del sistema* de su equipo para obtener más información.



PRECAUCIÓN: cuando monte varios sistemas en un rack, realice todos los procedimientos para el sistema actual antes de montar el siguiente sistema.



NOTAS: si adquirió un armario rack Dell con su sistema, es posible que los conjuntos deslizantes estén ya montados en el rack.

Para obtener instrucciones sobre el montaje del propio sistema, consulte la sección "Montaje del sistema en el rack."

Información de seguridad importante

Tome las precauciones de seguridad que se indican en los siguientes apartados cuando monte el sistema en el rack.



ADVERTENCIA: debe seguir estrictamente los procedimientos que se explican en esta guía para protegerse a sí mismo y a otras personas que se puedan ver envueltas. Los sistemas son extremadamente pesados y voluminosos, por lo que es importante una correcta preparación y planificación para evitar daños a sí mismo y a otras personas. Esto es más importante aún cuando se montan sistemas en la parte alta del rack.

Limitaciones de montaje del kit



PRECAUCIÓN: los sistemas de servidor Dell están certificados como componentes para su uso en un armario rack Dell con kits para rack para clientes de Dell. El montaje definitivo de servidores y kits para rack Dell en armarios rack de cualquier otra marca no ha sido aprobado por ninguna agencia de seguridad. Es responsabilidad del cliente la evaluación, por parte de una agencia de seguridad certificada, de la combinación de servidores Dell y kits para rack Dell montados en armarios rack de otras marcas.

Este kit para rack está concebido para su montaje en un rack Dell por técnicos de servicio con experiencia. Si monta el kit en cualquier otro rack, éste debe cumplir con las especificaciones de un rack Dell.

Pie estabilizador para el rack



PRECAUCIÓN: el montaje de un sistema en un rack Dell sin los pies estabilizadores delantero y lateral instalados y fijados al suelo podría hacer que volcase el rack, hecho que puede producir lesiones personales en determinadas circunstancias. Por tanto, instale y fije siempre los estabilizadores antes de montar los componentes en el rack.



PRECAUCIÓN: tras instalar sistemas en un rack, nunca extraiga más de un sistema del rack sobre su conjunto deslizante a la vez. El peso de más de un sistema extraído puede hacer que vuelque el rack y cause algún daño.

El pie estabilizador evita que vuelque el rack cuando se extrae más de un sistema u otro componente de manera que el conjunto deslizante está totalmente extendido. Consulte la documentación proporcionada con el rack para obtener instrucciones sobre el montaje y la fijación del pie estabilizador.

Herramientas y suministros recomendados

Para montar los componentes del kit para rack, necesita las siguientes herramientas:

- Una cinta métrica
- Un nivel
- Plantilla de montaje (incluida en el kit)
- Cinta de enmascaramiento o rotulador de punta de fieltro (para marcar los orificios de montaje)

Tareas de montaje

Montar el kit para rack y el sistema en un armario rack implica las siguientes tareas:

- Marcar el rack
- Montar los RapidRails en el rack
- Montar el chasis en el rack.

Si va a instalar el kit para rack en un armario rack PowerVault 4210, consulte los procedimientos indicados en la *Guía de montaje del rack Dell PowerVault 4210*.

Marcado del rack



NOTA: si los RapidRails vienen ya montados por Dell, omite esta sección.

Debe dejar 14 U (24,5 pulgadas) de espacio vertical para cada sistema que monte en el rack.

1. Determine dónde desea montar el sistema en el rack. Para obtener más información sobre la configuración de un rack Dell, consulte el software Dell Rack Advisor que encontrará en el sitio Web de Dell en la dirección <http://support.dell.com>.



PRECAUCIÓN: si va a montar más de un sistema, monte el primero en la posición más baja posible del rack.

Si desea instalar más de un sistema PowerVault en el rack, debe instalar los RapidRails dejando un espacio vertical de 14 U (24,5 pulgadas) entre la *parte inferior* de un conjunto deslizante y la *parte inferior* del siguiente. En el rack Dell, las guías están marcadas con pequeñas muescas a incrementos de 1 U (1,75 pulgadas) o con marcas de 1 U numeradas en las superficies interior y exterior de las guías verticales delanteras y traseras (consulte la Figura 4-2).

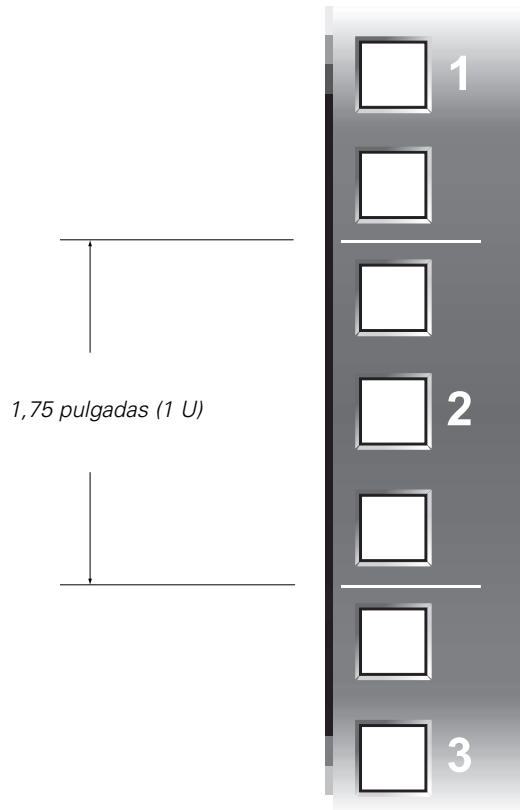


Figura 4-2. Unidad de rack

Coloque la parte delantera de la plantilla en las guías verticales delanteras donde desea instalar el sistema, y sitúe la parte inferior de la plantilla en línea con la posición inferior deseada del chasis del sistema.

La impresión de la plantilla debe identificar la cara que mira hacia fuera como parte delantera de la plantilla.

2. Marque las guías verticales delanteras del rack con un rotulador de punta de fieltro o coloque cinta de enmascaramiento en el lugar en el que se vayan a colocar los bordes superior e inferior del sistema (consulte la Figura 4-3).
3. Marque o coloque cinta en las guías verticales, junto a las muescas en forma de V de la plantilla.
4. En la parte posterior del armario rack, repita los pasos 2 a 3 para marcar la guía trasera, asegurándose de que la impresión de la plantilla identifica la cara que mira hacia afuera como parte trasera de la plantilla.

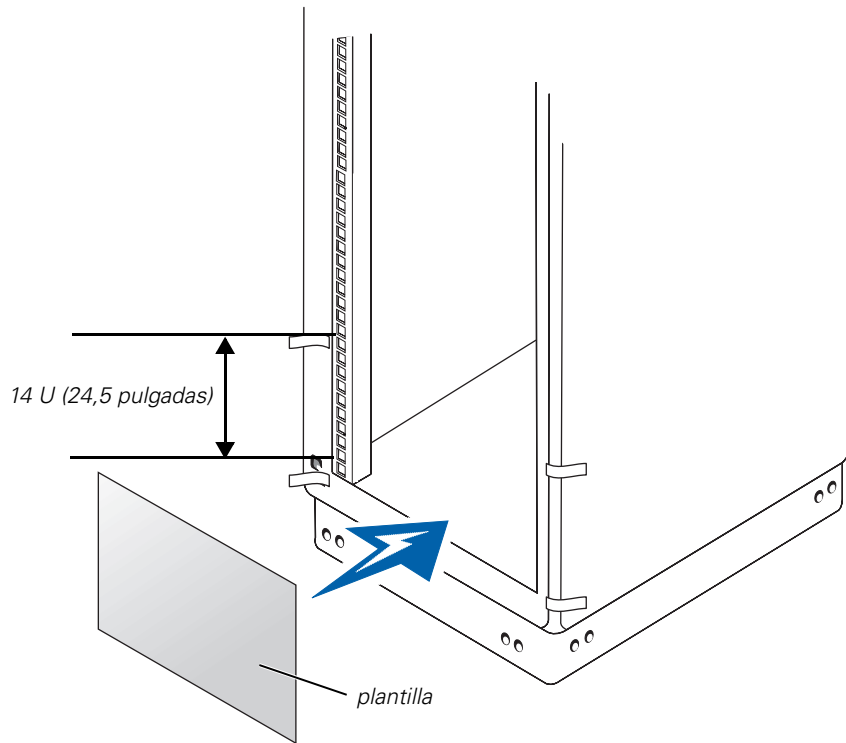


Figura 4-3. Marcado del rack

Montaje de los RapidRails en el rack

Para montar las guías en el rack, siga estos pasos:

1. Deslice el soporte de montaje posterior hacia el centro del conjunto deslizante para reducir un poco la longitud del conjunto deslizante (consulte la Figura 4-4).

El soporte de montaje de cada extremo del conjunto deslizante tiene dos ganchos que encajan en los orificios de la guía vertical.

2. Coloque el soporte de montaje del conjunto deslizante en la parte interior de la guía vertical delantera del rack, de manera que el gancho inferior esté en el orificio designado por la muesca inferior en forma de V de la plantilla.
3. Empuje el soporte de montaje delantero hacia la superficie interior de la guía delantera y presione hacia abajo.

Los ganchos de montaje se mueven hacia abajo y la lengüeta cuadrada del pestillo encaja en el orificio cuadrado situado justo debajo del gancho de montaje superior.

4. Deslice el soporte de montaje trasero hacia atrás hasta que se ajuste perfectamente en el lado interior de la guía vertical trasera.
5. Empuje el soporte de montaje trasero hacia la superficie interior de la guía trasera y presione hacia abajo.

Los ganchos de montaje se mueven hacia abajo y la lengüeta cuadrada del pestillo encaja en el orificio cuadrado situado justo debajo del gancho de montaje superior.

6. Repita los pasos 1 a 5 para montar el segundo conjunto deslizante.

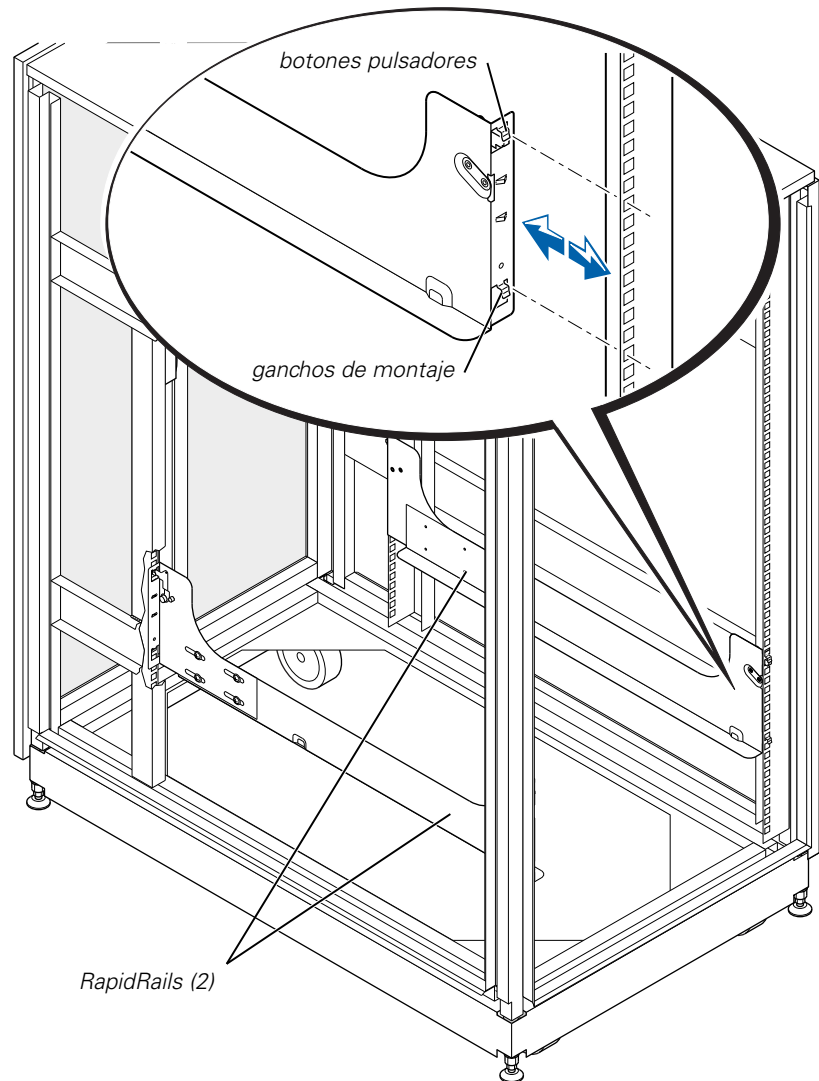


Figura 4-4. Montaje de los RapidRails

Montaje de un sistema en el rack

Los siguientes apartados proporcionan instrucciones para el montaje de un sistema en el rack.

Montaje del sistema



PRECAUCIÓN: si va a montar más de un sistema, monte el primero en la posición más baja que haya disponible en el rack. Termine el montaje del primer sistema en el rack antes de comenzar con el segundo. Nunca extraiga más de un sistema del rack a la vez.



PRECAUCIÓN: el montaje de varios sistemas en un rack requiere hasta cuatro personas y puede ser precisa una plataforma elevada.

1. Con la ayuda de dos a cuatro personas, eleve el sistema hasta su posición delante del rack.
2. Incline la parte trasera del sistema hacia arriba y colóquelo sobre los RapidRails (consulte la Figura 4-5).
3. Empuje el chasis del sistema hacia el rack hasta que las lengüetas de montaje descansen sobre los raíles verticales.
4. Apriete los tornillos de mano integrados en las lengüetas de montaje para sujetar el chasis del sistema al rack.

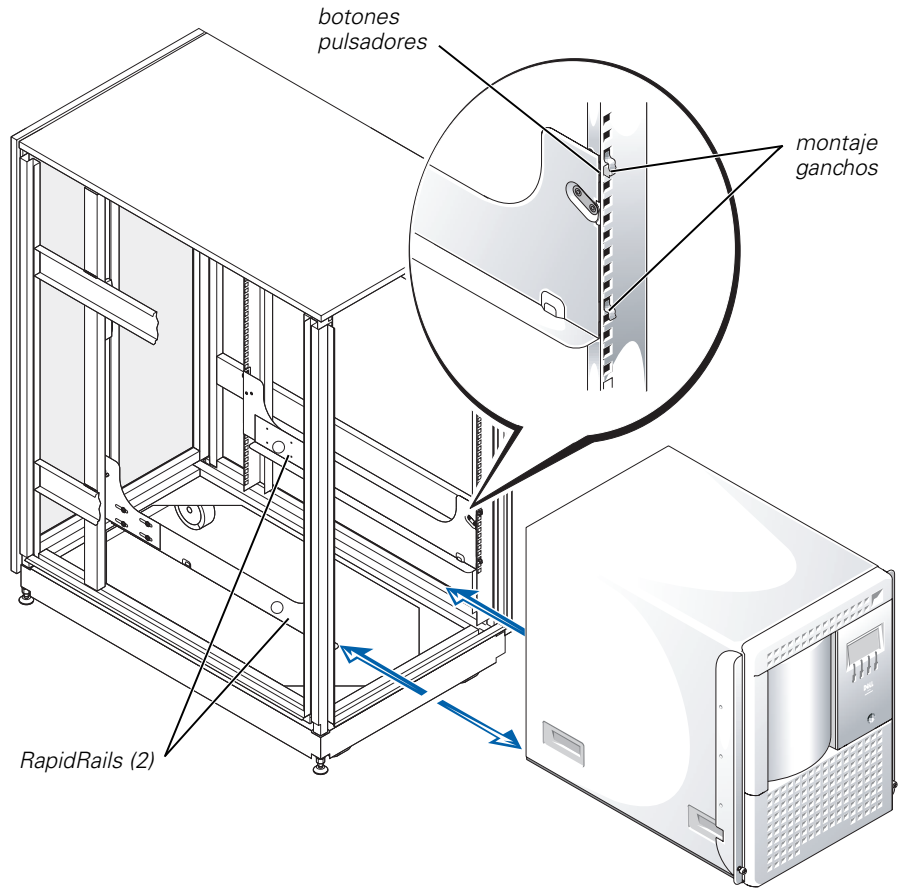


Figura 4-5. Montaje del sistema en el rack

ラック取り付けガイド

メモ、注意、警告および危険

本書には、横にアイコンがあり、太字で書かれている個所があります。この部分は、メモ、注意、警告および危険で、次のように使い分けされています。



メモ：メモは、コンピュータを使いやすくする為の重要な情報を説明しています。

注意：注意は、ハードウェアの損傷やデータの損失の可能性あることを示し、その危険を回避するための方法を説明しています。



警告：警告は、問題を回避しないと、身体に危険を及ぼす可能性があることを示します。



危険：問題を回避しないと、身体に重大な損害を与える可能性や死に至る危険性があることを示唆しています。

ここに記載されている内容は予告なく変更されることがあります。
© 2001 すべての著作権は Dell Computer Corporation にあります。

Dell Computer Corporation の書面による許可のない複写は、いかなる形態においても厳重に禁じられています。

本書で使用されている商標について： Dell、DELL のロゴ、PowerVault、PowerEdge、RapidRails は、Dell Computer Corporation の商標です。

本書では、必要に応じて上記記載以外の商標および会社名が使用されている場合がありますが、これらの商標や会社名は、一切 Dell Computer Corporation に所属するものではありません。

2001 年 2 月 P/N 8D249 Rev. A00



安全にお使いいただくための注意

怪我の発生や、サーバ、ストレージシステム、アプライアンスの損害を避けるために、次の安全ガイドラインを遵守してください。安全、規則、保証について詳しくは、ご利用のシステムの『システム情報』マニュアルを参照してください。

メモ、注意、警告および危険

本書には、横にアイコンがあり、太字で書かれている個所があります。この部分は、メモ、注意、警告および危険で、次のように使い分けされています。



メモ：メモは、コンピュータを使いやすくする為の重要な情報を説明しています。

注意：注意は、ハードウェアの損傷やデータの損失の可能性のあることを示し、その危険を回避するための方法を説明しています。



警告：警告は、問題を回避しないと、身体に危険を及ぼす可能性があることを示します。



危険：問題を回避しないと、身体に重大な損害を与える可能性や死に至る危険性があることを示唆しています。



ラックに設置可能な製品に対する注意点

ラックの安定性や安全性に関して、次の点にご注意ください。特定の警告や注意文および手順については、システムやラックに同梱されているラック取り付けマニュアルを参照してください。

サーバおよびストレージシステムはラックの一部として考えます。したがって「部品」の用語は、サーバ、ストレージシステム、アプライアンス、および各種周辺装置またはサポートハードウェアを意味します。



危険：ラック正面および横の安定板を取り付けずに Dell のラックに Dell システム部品を取り付けると、ラックが転倒し、けがをする恐れがあります。したがって、必ず安定板を取り付けてからラックに部品を取り付けてください。

ラックにシステム / 部品を取り付けた後は、一度に 2 台以上の部品を、スライドアセンブリのラックから引き出さないでください。重みでラックが転倒し、けがをする恐れがあります。



メモ： Dell のサーバとストレージシステムは、Dell カスタマラックキットで構成される Dell のラックキャビネットに取り付ける部品として保証されています。他のメーカーのラックキャビネットに Dell のシステムやラックキットを取り付けることは、どの安全機関でも承認されていません。他のメーカーのラックキャビネットに Dell のシステムやラックキットを最終的に組み合わせて使用する場合は、ユーザが責任を持って認定安全機関で適合性の評価を受けてください。

- システムラックキットは、トレーニングを受けたサービス技術者が Dell のラックに取り付けます。キットを別のラックに取り付ける場合は、そのラックが Dell のラック仕様に適合するかを確認してください。
- 大型ラックを 1 人で移動しないでください。ラックの高さと重さを考慮して、少なくとも 2 人以上でラックを移動することをお勧めします。
- ラックを移動する前に、安定板がラックに固定されて床面に伸び、ラックの全重量が床面にかかっていることを確認してください。ラックを移動する前に、1 つのラックの場合は正面と横の安定板、複数の組み合わせられたラックの場合は正面の安定板を取り付けます。
- ラックには必ず下から上の順に、最も重いものから設置します。
- 部品をラックから引き出す前に、ラックが平行で安定していることを確認してください。
- 部品レールリリースラッチを押し、部品をラックの中または外にスライドする場合はご注意ください。スライドレールに指をはさまれることがあります。
- 部品をラックに設置したら、レールをロック位置に静かに伸ばし、部品をラックの中にスライドします。
- ラックに電力を送る AC 分岐回路に過重電流を流さないでください。ラックの総負荷が分岐回路定格の 80 パーセントを超えないようにしてください。
- ラックの部品に空気が十分に送られていることを確認します。
- ラックの他のシステム/部品を取り扱っているときに、システム/部品の上に乗ったり、立ってはいけません。



ラック取り付けガイド

この取り付けガイドは、ラックに 1 基または複数の Dell™ PowerVault™ 136T システムを Dell PowerEdge™ 4 柱型ラックキャビネットに取り付ける作業に当たる、トレーニング済みサービス技術者向けの手順書です。42-U および 24-U ラックの両方に対応しています。ラックに取り付けるシステム 1 基ごとに ラックキット 1 セットが必要です。

本書の全体を注意して読んでから、取り付けを開始してください。

ラックキットの内容

ラックキットの内容は、次のとおりです (図 5-1 を参照してください)。

- RapidRails™ 1 対
- ラックテンプレート 1 枚



メモ: システムと同時に Dell 製ラックを購入された場合は、一部のハードウェアがラックに取り付け済みの場合があります。

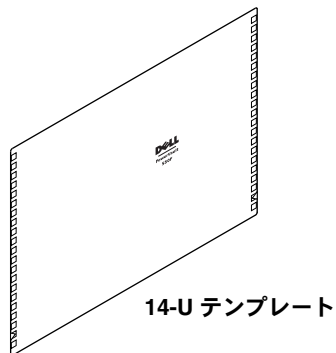
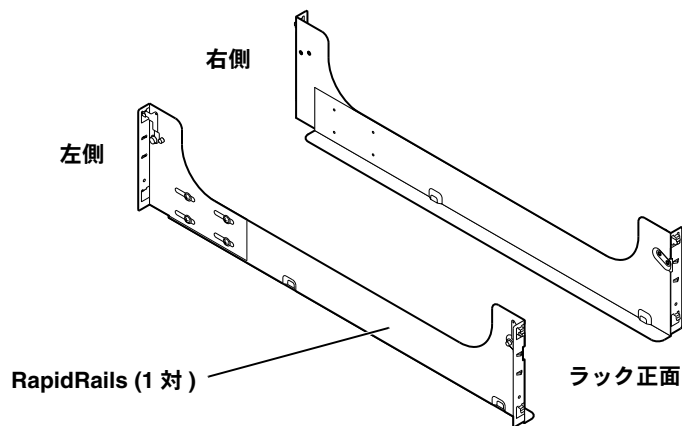


図 5-1. ラックキットの内容

はじめに

本書の冒頭に記載した「安全にお使いいただくための注意」と、追加の情報としてシステムの『System Information』ドキュメントに提供されている安全に関する注意を参照してください。



警告：複数のシステムをラックに取り付ける場合は、1 基のシステムの手順を完了してから、次のシステム取り付けに進んでください。



メモ：システムと共に Dell 製ラックキャビネットを購入された場合は、最初からスライドアセンブリがラックに取り付け済みの場合があります。

システム自体を取り付ける手順については、本書の後半に記載されている「ラックへのシステムの取り付け」を参照してください。

安全に関する重要な注意

システムをラックに取り付ける場合は、次の各セクションの安全上の注意に従ってください。



危険：作業者は、自分自身と関係者を保護するために、本書の手順を遵守する必要があります。システムは、重量があり大きいので、作業者と他の人がケガをしないように適切に準備し、計画を立てることが重要です。これは、特にシステムをラックの高い位置に取り付ける場合に重要になります。

キット取り付け時の制限事項



警告：Dell サーバーシステムは、Dell カスタマーラックキットを使っている Dell ラックキャビネットで使用するための部品として認証されています。他のブランドのラックキャビネットに Dell サーバーおよびラックキットを最終的に取り付けることは、どの安全機関からも承認されていません。他のメーカーのラックキャビネットに Dell サーバーとラックキットを最終的に組み合わせて使用する場合は、ユーザーが責任を持って認定安全機関で適合性の評価を受けてください。

本ラックキットは、トレーニングを受けたサービス技術者が Dell ラックに取り付けます。キットを別のラックに取り付ける場合は、そのラックが Dell ラックの仕様に適合するかを必ず確認してください。

ラック安定用の脚



警告：ラック正面および側面の安定用の脚を取り付けていない、または、安定用の脚を床に固定していない Dell ラックにシステムを取り付けると、ラックが転倒し、特定の状況下では身体に傷害を与える危険性があります。したがって、安定用の脚を取り付けて床に固定してから、ラックに部品を取り付けてください。



警告：ラックにシステムを取り付けた後は、一度に複数のシステムをスライドアセンブリのラックから引き出さないでください。引き出された複数のシステムの重みでラックが転倒し、ケガをする恐れがあります。

安定用の脚は、スライドアセンブリが伸びきってしまうまで、システムまたは他の部品が引き出された場合にラックが転倒するのを防止します。安定用の脚の取り付けと床への固定については、ラックに同梱のマニュアルを参照してください。

推奨する工具および備品

ラックキットの各コンポーネントを取り付けるには、次の工具が必要です。

- 巻尺
- レベル
- 取り付けテンプレート (キットに同梱)
- マスキングテープまたはフェルトペン (取り付け穴に印を付けるために使用)

取り付け手順

ラックキットとシステムをラックキャビネットに取り付けるには、次の手順を実行します。

- ラックに印を付けます。
- ラックに RapidRails を取り付けます。
- システムシャーシをラックに取り付けます。

ラックキットを PowerVault 4210 に取り付けの場合は、『Dell PowerVault 4210 ラック取り付けガイド』の手順を参照してください。

ラックに印を付ける



メモ：Dell により RapidRails が事前に取り付けられていた場合は、本項をお読みにならなくてもかまいません。

ラックに取り付けるシステムには、垂直スペースとして 14 U または 24.5 インチを必要とします。

1. システムをラックに取り付ける場所を決定します。Dell ラックの構成に関する詳細は、Dell の Web サイト <http://support.jp.dell.com> で入手可能な Dell Rack Advisor ソフトウェアを参照してください。



警告：複数のシステムを取り付ける場合は、最初のシステムを、ラックのなかで一番低い位置に取り付けてください。

複数の PowerVault システムをラックに取り付ける場合は、あるスライドアセンブリの底部からその次のスライドアセンブリの底部までの間の垂直スペースが 14 U (24.5 インチ) となるように RapidRails を取り付けする必要があります。Dell 製のラックでは、ラックのレールには、1-U (1.75 インチ) ごとに小さな刻み目が付けられているか、正面と背面の垂直レールの外側と内側に 1-U ごとに番号が付けられています (図 5-2 を参照してください)。

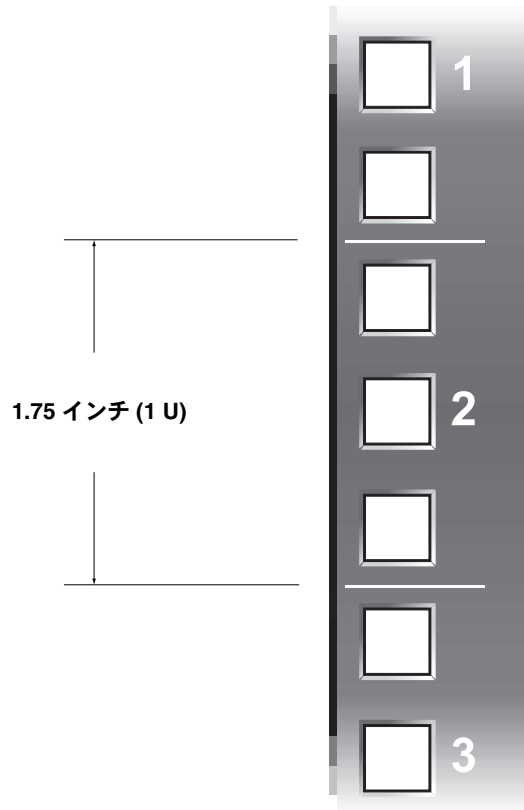


図 5-2. ラックの 1U

システムを取り付けるラック前面の垂直レールにテンプレートの前面を置き、システムシャーシの底部を取り付ける位置にテンプレートの底部を揃えます。

テンプレートの印字面が、テンプレートの前面であり、外側にきていることを確認してください。

2. ラックの前面垂直レールでシステムの上端と下端に当たる位置に、フェルトペンで印を付けるか、マスキングテープを貼ります(図 5-3 を参照してください)。
3. テンプレートの V 字型の切り込みの横の垂直レールに、印を付けるかマスキングテープを貼ります。
4. ラックキャビネット背面で、手順 2 と 3 を繰り返して背面レールに印を付けます。テンプレートの印字面がテンプレートの前面であり、外側にきていることを確認してください。

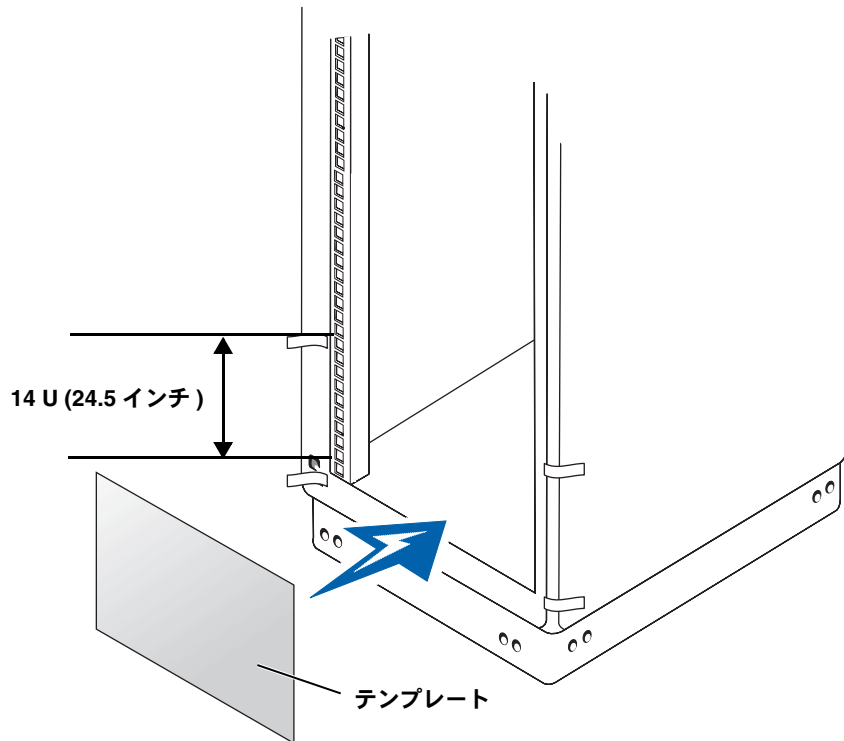


図 5-3. ラックに印を付ける

ラックへの RapidRails の取り付け

ラックにレールを取り付けるには、次の手順を実行します。

1. 背面の取り付けフランジをスライドアセンブリの中心に向けてスライドさせ、スライドアセンブリの全長を若干短くします (図 5-4 を参照してください)。
スライドアセンブリの各端部の取り付けフランジには、垂直レールの穴に適合する 2 個のフックがあります。
2. 下側のフックがテンプレートの下側の V- 字型切り込みで指定された穴の位置にくるように、スライドアセンブリ取り付けフランジをラックの正面の垂直レールの内側に配置します。
3. 正面の取り付けフランジを正面レールの内面に押し付けて、押し込みます。
これにより、取り付けフックは下側に動き、四角のラッチタブは上側取り付けフックのすぐ下の四角形の穴に入ります。

4. 背面の取り付けフランジが背面の垂直レールの内側にしっかりと合うまで、背面取り付けフランジを背面側にスライドさせます。
5. 背面の取り付けフランジを背面レールの内面に押し付けて、押し込みます。
これにより、取り付けフックは下側に動き、四角のラッチタブは上側取り付けフックのすぐ下の四角形の穴に入ります。
6. 手順 1 から 5 を繰り返して、2 番目のスライドアセンブリを取り付けます。

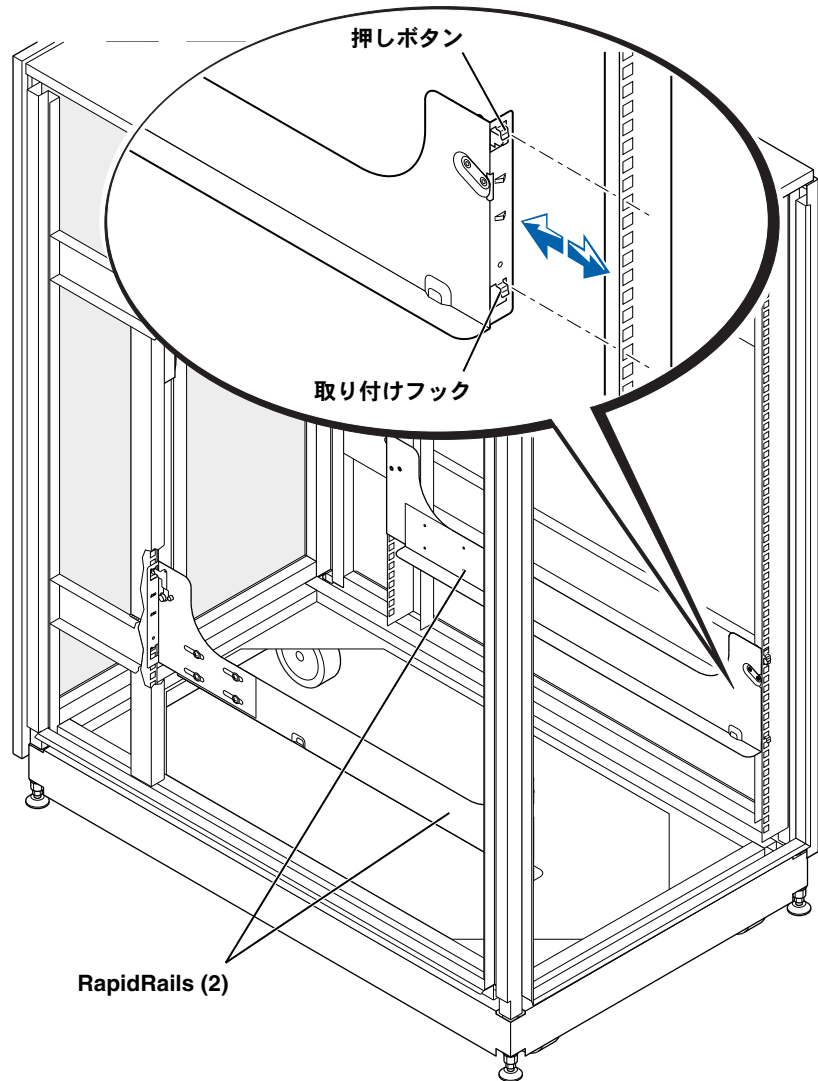


図 5-4. RapidRails の取り付け

ラックへのシステムの取り付け

ラックへのシステムの取り付け手順を次に示します。

システムの取り付け



警告：複数のシステムを取り付ける場合は、最初のシステムを、ラックのなかで一番低い位置に取り付けてください。最初のシステムをラックに完全に付けてから、2番目のシステムを取り付けてください。一度に複数のシステムをラックから引き出さないでください。



警告：複数システムをラックに取り付けるには、最大4人の作業者を必要とし、作業者が立つための台が必要な場合があります。

1. 2～4人の作業員で、システムをラックの正面に持ち上げます。
2. システムの後部を上げて傾け、RapidRailsの上に置きます（図5-5を参照してください）。
3. 取り付け用のタブが垂直レールで支えられるまで、システムシャーシをラックの中に押し込みます。
4. 取り付け用のタブの蝶ネジを締め付けて、システムシャーシをラックに取り付けます。

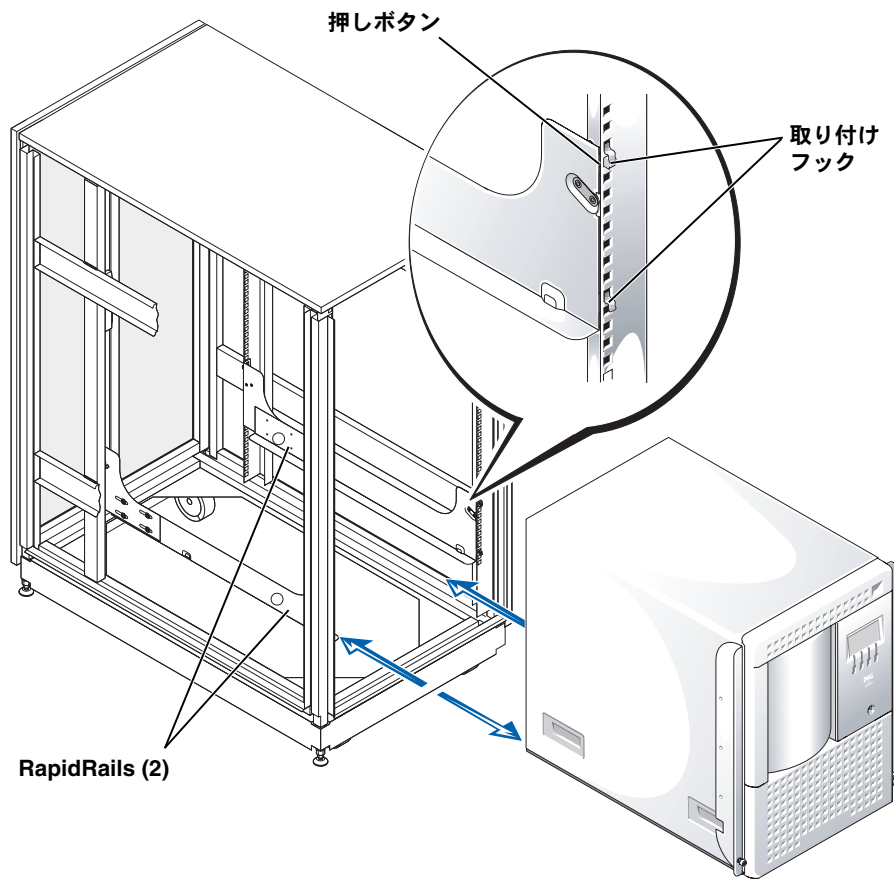


図 5-5. ラックへのシステムの取り付け

